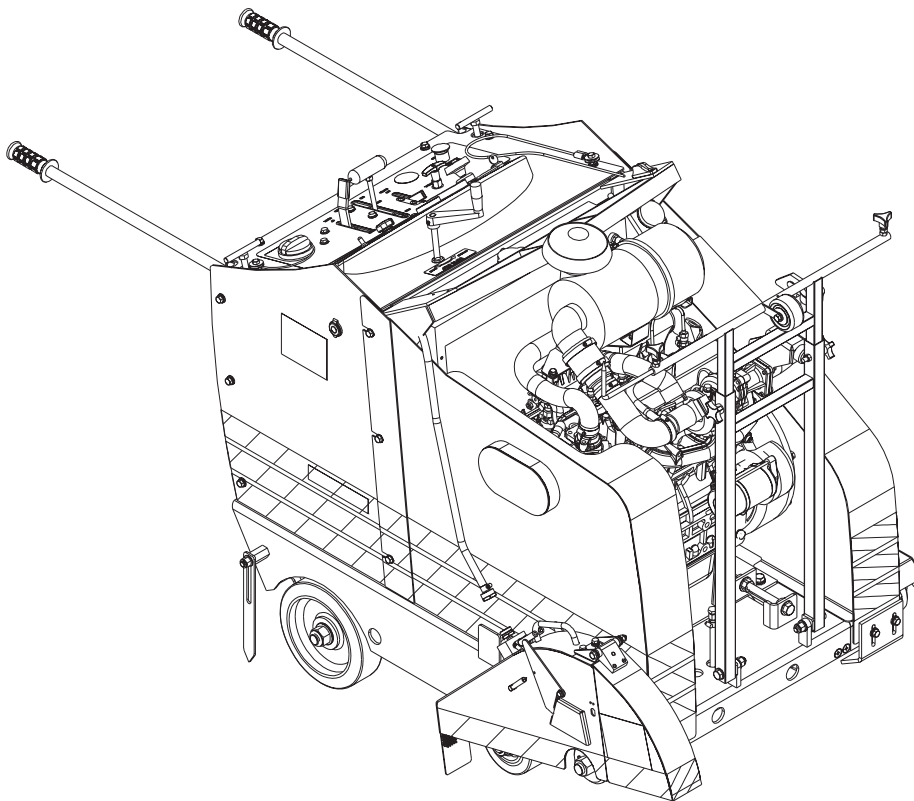


**NORTON**

**clipper**

C59 Series 10/2011

**ROAD SAW SERIES  
PARTS LIST  
C59 KUBOTA DIESEL SERIES**



**Belts: See  
2nd page**

Kubota Diesel  
Engine

**CAUTION:** Read all safety and operating instructions before using this equipment. This manual **MUST** accompany the equipment at all times.

Revision: 101 10/2011  
Manual Part# 168776-PM

[www.nortonconstructionproducts.com](http://www.nortonconstructionproducts.com)

<b>CONTENTS</b>	<b>PAGE #</b>
<b>FIGURE 1 - PARTS LIST: C5920SS CONCRETE SAW - P/N 168776-20</b>	4-5
<b>FIGURE 2 - PARTS LIST: C5926SS CONCRETE SAW - P/N 168776-26</b>	6-7
<b>FIGURE 3 - PARTS LIST: C5930SS CONCRETE SAW - P/N 168776-30</b>	8-9
<b>FIGURE 4 - PARTS LIST: C5936SS CONCRETE SAW - P/N 168776-36</b>	10-11
<b>FIGURE 5 - PARTS LIST: C5900SS SUB ASSEMBLY - P/N 168776</b>	12-14
<b>FIGURE 6 - PARTS LIST: ASSY, ENGINE, KUBOTA, 59HP - P/N 165153</b>	16-17
<b>FIGURE 7 - PARTS LIST: ASSY, 7" AIR CLEANER - P/N 165290</b>	18
<b>FIGURE 8 - PARTS LIST: ASSY, INSTRUMENT PANEL - P/N 169142-NRT</b>	19
<b>FIGURE 9 - PARTS LIST: ASSY, RADIATOR - P/N 169103</b>	20
<b>FIGURE 10 - PARTS LIST: ASSY, RADIATOR FAN - P/N 169393</b>	21
<b>FIGURE 11 - PARTS LIST: ASSY, C59 SUB A - P/N 165151-NRT</b>	22
<b>FIGURE 12 - PARTS LIST: ASSY, C59 SUB B - P/N 165151-NRT</b>	23
<b>FIGURE 13 - PARTS LIST: ASSY, C59 SUB C - P/N 165151-NRT</b>	24-25
<b>FIGURE 14 - PARTS LIST: ASSY, C59 SUB D - P/N 165151-NRT</b>	26-27
<b>FIGURE 15 - PARTS LIST: ASSY, DEPTH STOP - P/N 165602</b>	29
<b>FIGURE 16 - PARTS LIST: ASSY, FUEL TANK - P/N 165601</b>	29
<b>FIGURE 17 - PARTS LIST: ASSY, CONTROL PANEL, P/N 165336-NRT</b>	30
<b>FIGURE 18 - PARTS LIST: ASSY, CONTROLHEAD, FNR - P/N 168753</b>	31
<b>FIGURE 19 - PARTS LIST: ASSY, UP/DOWN CONTROL - P/N 167233</b>	32
<b>FIGURE 20 - PARTS LIST: ASSY, WATER VALVE - P/N 164161</b>	33
<b>FIGURE 21 - PARTS LIST: ASSY, POINTER FRONT - P/N 169111-NRT</b>	34
<b>FIGURE 22 - PARTS LIST: ASSY, REAR POINTER - P/N 163824</b>	35
<b>FIGURE 23 - PARTS LIST: ASSY, SHAFT GUARD - P/N 166056</b>	36
<b>FIGURE 24 - PARTS LIST: ASSY, FRAME SUB - P/N 165160</b>	37
<b>FIGURE 25 - PARTS LIST: ASSY, BLADE SHAFT - P/N 165583</b>	38
<b>FIGURE 26 - PARTS LIST: TRUCK, FRONT PIVOT - P/N 165592</b>	39
<b>FIGURE 27 - PARTS LIST: TRANSMISSION - P/N 166338</b>	40-41
<b>FIGURE 28 - PARTS LIST: 20" BLADE GUARD - P/N 168279-20</b>	42-43
<b>FIGURE 29 - PARTS LIST: 26" BLADE GUARD - P/N 168279-26</b>	44-45
<b>FIGURE 30 - PARTS LIST: 30" BLADE GUARD - P/N 168279-30</b>	46-47
<b>FIGURE 31 - PARTS LIST: 36" BLADE GUARD - P/N 168279-36</b>	48-49
<b>FIGURE 32 - PARTS LIST: ASSY, WATER MANIIFOLD 2T - P/N 167624</b>	50
<b>FIGURE 33 - PARTS LIST: ASSY, WATER MANIIFOLD 4T - P/N 167624</b>	50
<b>FIGURE 34 - PARTS LIST: ASSY, HINGE - P/N 163979</b>	51
<b>GENERAL PRODUCT INFORMATION</b>	
<b>CONTACT INFORMATION AND LIMITED WARRANTY</b>	52

# FLUID TYPES/LEVELS HIGH HP SAWS

	C35xx series		C44xx series		C59xx series	
	Fluid	QTY	Fluid	QTY	Fluid	QTY
Engine Oil Type	10W-30	2.43 qt	10W-30	6 qt	10W-30	9 qt
Engine Coolant	-NA-	-NA-	REG Antifreeze 50/50	2 gal	REG Antifreeze 50/50	3 gal
Differential/Transmission	SAE 80W90	1 gal	SAE 80W90	1 gal	SAE 80W90	1 gal
Eaton Hydrostatic	10W-30	Fill Line On Expansion Jar	10W-30	Fill Line On Expansion Jar	10W-30	Fill Line On Expansion Jar
Hydraulic System (raise/lower)	-NA-	-NA-	ATF	1.5 qt	ATF	1.5 qt
Blade Shaft (Direct Drive)	10W-30	0.5 qt	10W-30	0.5 qt	10W-30	0.75 qt
3 SPEED Gear Box	-NA-	-NA-	SAE 80W90	2 qt	SAE 80W90	2 qt

Note that the Straight Drive and Gear box versions have different fluid levels in the Blade Shaft assembly. The Gearbox and Blade Shaft Assembly are one unit on the Gearbox versions.

FIGURE 1 - PARTS LIST: C5920SD CONCRETE SAW P/N 168776-20

**Drive Pin N1C0095**  
**3/8 x 1-3/4**

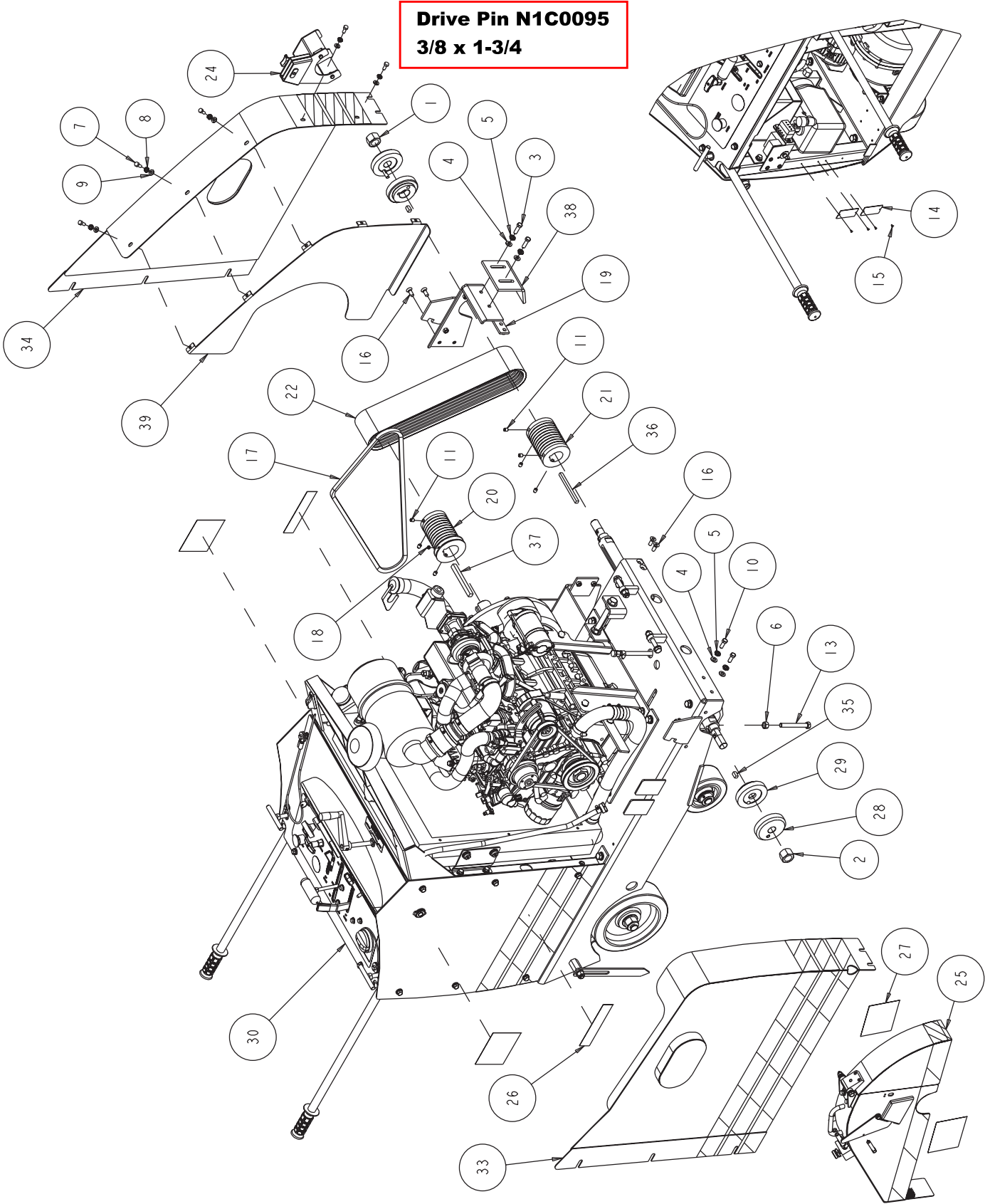




FIGURE 1 - PARTS LIST: C5920SD CONCRETE SAW P/N 168776-20

ITEM NO.	DESCRIPTION	PART #	QTY. REQ.
1	NUT, 1 - 14 RIGHT HAND	138693	1
2	NUT, 1 - 14 LEFT HAND	138701	1
3	SCREW, 3/8 - 16 X 1 - 1/4 HEX HEAD CAP	150774	2
4	WASHER, FLAT, SAE, 3/8	150923	4
5	WASHER, LOCK, SPLIT, 3/8	150925	4
6	NUT, 1/2 - 13 HEX	151282	1
7	SCREW, HEX HD CAP, 5/16 - 18 X 3/4	151369	5
8	WASHER, LOCK, SPLIT, 5/16	151747	5
9	WASHER, FLAT, SAE, 5/16	151754	5
10	SCREW, HEX HD CAP, 3/8 - 16 X 1	152507	2
11	SCREW, SET, SOC, CUPT, 3/8 - 16 X 1/2	153710	7
12	CARD, WARRANTY, NORTON	155859	1
13	SCREW, HEX HD, TAP, 1/2 - 13 X 4	156626	1
14	TAG, SERIAL #, BLANK	157500-RW	2
15	DRIVE SCREW, #7 X 5/16 ROUND HEAD	157849	4
16	SCREW, 3/8 - 16 X 1 FLATHEAD MACHINE	162067	4
17	BELT, A63	162979	1
18	SCREW, 3/8 - 16 X 3.8 SOCKET HEAD SET, CUP POINT	163261	1
19	CORNER, FRAME	165458	1
20	PULLEY, 10 - 3VX3.4 X 2BORE	165463	1
21	PULLEY, 103VX3.7 X 1 - 3/4BORE	165464	1
22	BELT, 10/3VX475	165689-10	1
23	SHEET, WARNING LABELS, CONCRETE	166009	1
24	ASSY, SHAFT GUARD	166056	1
25	ASSY, BLADE GUARD 20"	168279-20	1
26	LABEL, C5920SS MODEL	168545-5920	2
27	LABEL, NORTON/CLIPPER LOGO	168546	4
28	ASSY, FLANGE, OUTER, 4"	168596-4	2
29	FLANGE, 4" INNER	168598-4	2
30	C5900SS CONC SAW-PARENT	168776	1
31	OWNERS MANUAL, C59	168776-OM	1
32	PARTS MANUAL, C59	168776-PM	1
33	COVER, ENGINE, RIGHT, C59	168934-NRT	1
34	COVER, ENGINE, LEFT, C59	168935-NRT	1
35	KEY, SQR, 3/8 X 3/4	169371	2
36	KEY, 3/8 SQUARE X 5	169566	1
37	KEY, 1/2 SQR X 5.25	169567	1
38	PLATE, BELT PROTECTOR	169568	1
39	GUARD, BELT, INNER, C59	169652	1

FIGURE 2 - PARTS LIST: C5926SD CONCRETE SAW P/N 168776-26

**Drive Pin N1C0095**  
**3/8 x 1-3/4**

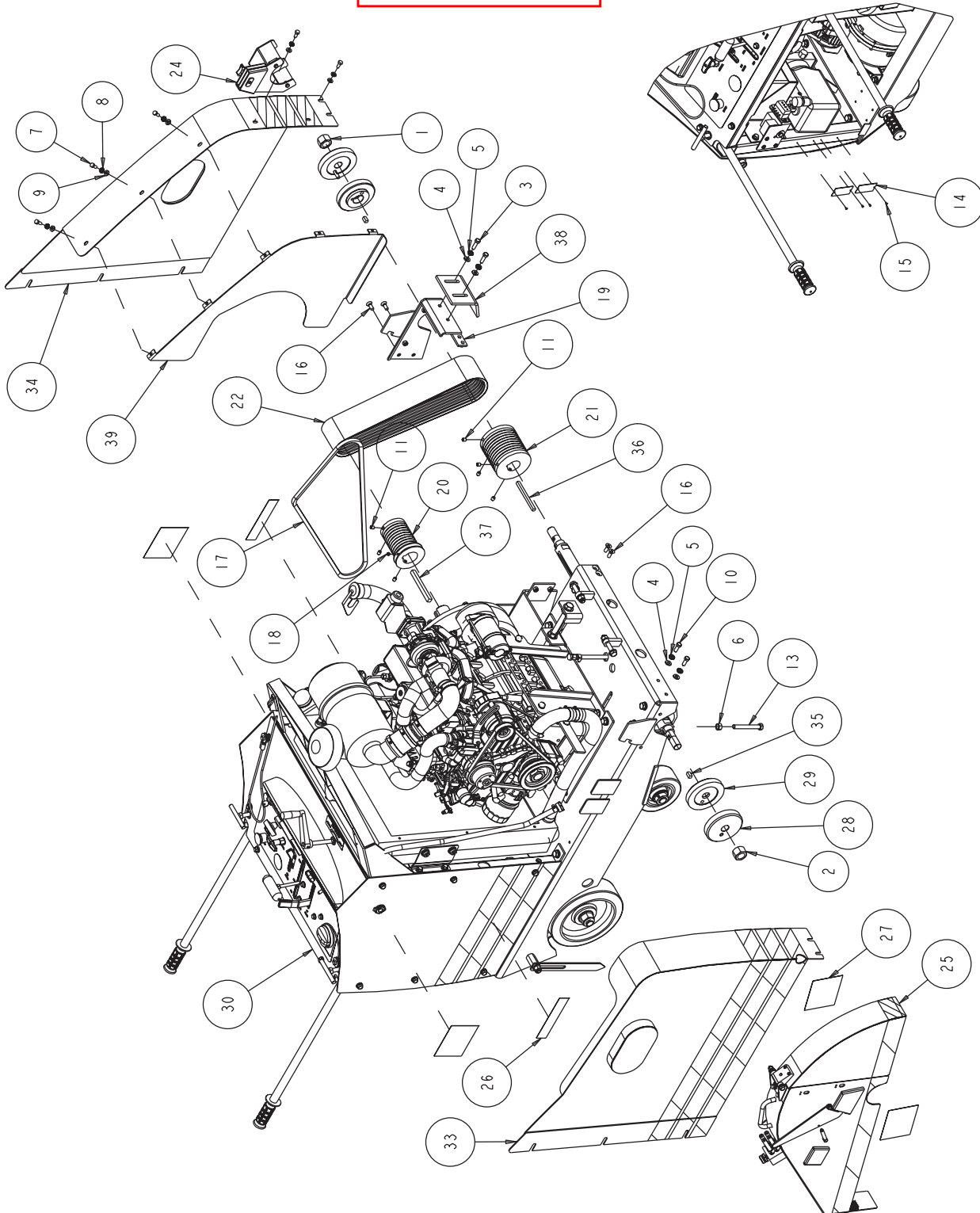


FIGURE 2 - PARTS LIST: C5926SD CONCRETE SAW P/N 168776-26

ITEM NO.	DESCRIPTION	PART #	QTY. REQ.
1	NUT, 1 - 14 RIGHT HAND	138693	1
2	NUT, 1 - 14 LEFT HAND	138701	1
3	SCREW, 3/8 - 16 X 1 - 1/4 HEX HEAD CAP	150774	2
4	WASHER, FLAT, SAE, 3/8	150923	4
5	WASHER, LOCK, SPLIT, 3/8	150925	4
6	NUT, 1/2 - 13 HEX	151282	1
7	SCREW, HEX HD CAP, 5/16 - 18 X 3/4	151369	5
8	WASHER, LOCK, SPLIT, 5/16	151747	5
9	WASHER, FLAT, SAE, 5/16	151754	5
10	SCREW, HEX HD CAP, 3/8 - 16 X 1	152507	2
11	SCREW, SET, SOC, CUPT, 3/8 - 16 X 1/2	153710	7
12	CARD, WARRANTY, NORTON	155859	1
13	SCREW, HEX HD, TAP, 1/2 - 13 X 4	156626	1
14	TAG, SERIAL #, BLANK	157500-RW	2
15	DRIVE SCREW, #7 X 5/16 ROUND HEAD	157849	4
16	SCREW, 3/8 - 16 X 1 FLATHEAD MACHINE	162067	4
17	BELT, A63	162979	1
18	SCREW, 3/8 - 16 X 3.8 SOCKET HEAD SET, CUP POINT	163261	1
19	CORNER, FRAME	165458	1
20	PULLEY, 10 - 3VX3.4 X 2BORE	165463	1
21	PULLEY, 103VX 4.8 X 1 - 3/4BORE	165465	1
22	BELT, 10/3VX475	165689-10	1
23	SHEET, WARNING LABELS, CONCRETE	166009	1
24	ASSY, SHAFT GUARD	166056	1
25	ASSY, BLADE GUARD 26"	168279-26	1
26	LABEL, C5926SS MODEL	168545-5926	2
27	LABEL, NORTON/CLIPPER LOGO	168546	4
28	ASSY, FLANGE, OUTER, 5"	168596-5	2
29	FLANGE, 5" INNER	168598-5	2
30	C5900SS CONC SAW-PARENT	168776	1
31	OWNERS MANUAL, C59	168776-OM	1
32	PARTS MANUAL, C59	168776-PM	1
33	COVER, ENGINE, RIGHT, C59	168934-NRT	1
34	COVER, ENGINE, LEFT, C59	168935-NRT	1
35	KEY, SQR, 3/8 X 3/4	169371	2
36	KEY, 3/8 SQUARE X 5	169566	1
37	KEY, 1/2 SQR X 5.25	169567	1
38	PLATE, BELT PROTECTOR	169568	1
39	GUARD, BELT, INNER, C59	169652	1

FIGURE 3 - PARTS LIST: C5930SD CONCRETE SAW P/N 168776-30

**Drive Pin N1C0095  
3/8 x 1-3/4**

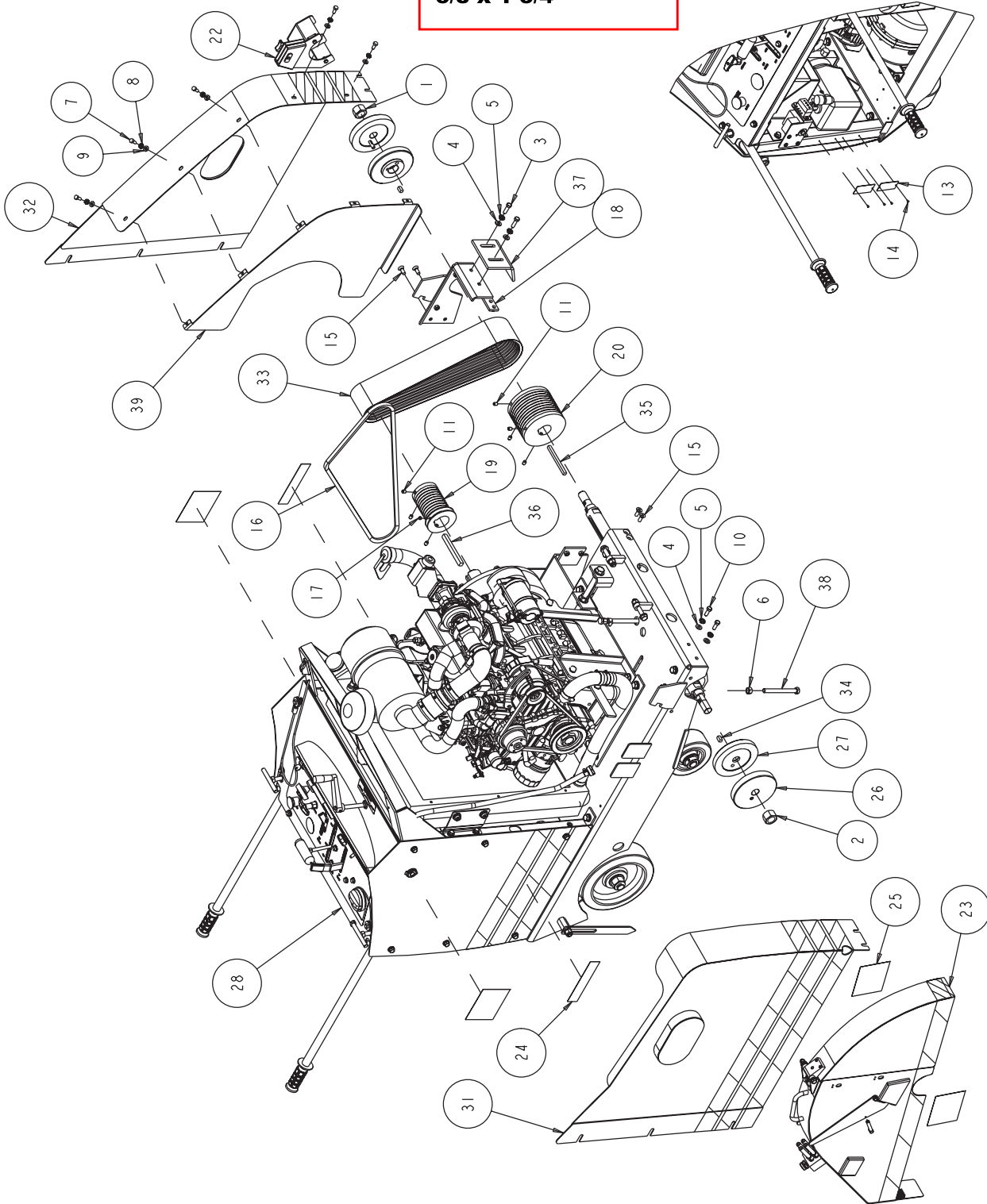


FIGURE 3 - PARTS LIST: C5930SD CONCRETE SAW P/N 168776-30

ITEM NO.	DESCRIPTION	PART #	QTY. REQ.
1	NUT, 1 - 14 RIGHT HAND	138693	1
2	NUT, 1 - 14 LEFT HAND	138701	1
3	SCREW, 3/8 - 16 X 1 - 1/4 HEX HEAD CAP	150774	2
4	WASHER, FLAT, SAE, 3/8	150923	4
5	WASHER, LOCK, SPLIT, 3/8	150925	4
6	NUT, 1/2 - 13 HEX	151282	1
7	SCREW, HEX HD CAP, 5/16 - 18 X 3/4	151369	5
8	WASHER, LOCK, SPLIT, 5/16	151747	5
9	WASHER, FLAT, SAE, 5/16	151754	5
10	SCREW, HEX HD CAP, 3/8 - 16 X 1	152507	2
11	SCREW, SET, SOC, CUPT, 3/8 - 16 X 1/2	153710	7
12	CARD, WARRANTY, NORTON	155859	1
13	TAG, SERIAL #, BLANK	157500-RW	2
14	DRIVE SCREW, #7 X 5/16 ROUND HEAD	157849	4
15	SCREW, 3/8 - 16 X 1 FLATHEAD MACHINE	162067	4
16	BELT, A63	162979	1
17	SCREW, 3/8 - 16 X 3.8 SOCKET HEAD SET, CUP POINT	163261	1
18	CORNER, FRAME	165458	1
19	PULLEY, 10 - 3VX3.4 X 2BORE	165463	1
20	PULLEY, 103VX 5.8 X 1 - 3/4BORE	165466	1
21	SHEET, WARNING LABELS, CONCRETE	166009	1
22	ASSY, SHAFT GUARD	166056	1
23	ASSY, BLADE GUARD 30"	168279-30	1
24	LABEL, C5930SS MODEL	168545-5930	2
25	LABEL, NORTON/CLIPPER LOGO	168546	4
26	ASSY, FLANGE, OUTER, 6"	168596-6	2
27	FLANGE, 6" INNER	168598-6	2
28	C5900SS CONC SAW-PARENT	168776	1
29	OWNERS MANUAL, C59	168776-OM	1
30	PARTS MANUAL, C59	168776-PM	1
31	COVER, ENGINE, RIGHT, C59	168934-NRT	1
32	COVER, ENGINE, LEFT, C59	168935-NRT	1
33	BELT, 10/3VX500	169214-10	1
34	KEY, SQR, 3/8 X 3/4	169371	2
35	KEY, 3/8 SQUARE X 5	169566	1
36	KEY, 1/2 SQR X 5.25	169567	1
37	PLATE, BELT PROTECTOR	169568	1
38	SCREW, HEX HD, TAP, 1/2 - 13 X 5	169570	1
39	GUARD, BELT, INNER, C59	169652	1

FIGURE 4 - PARTS LIST: C5936SD CONCRETE SAW P/N 168766-36

**Drive Pin N1C0095**  
**3/8 x 1-3/4**

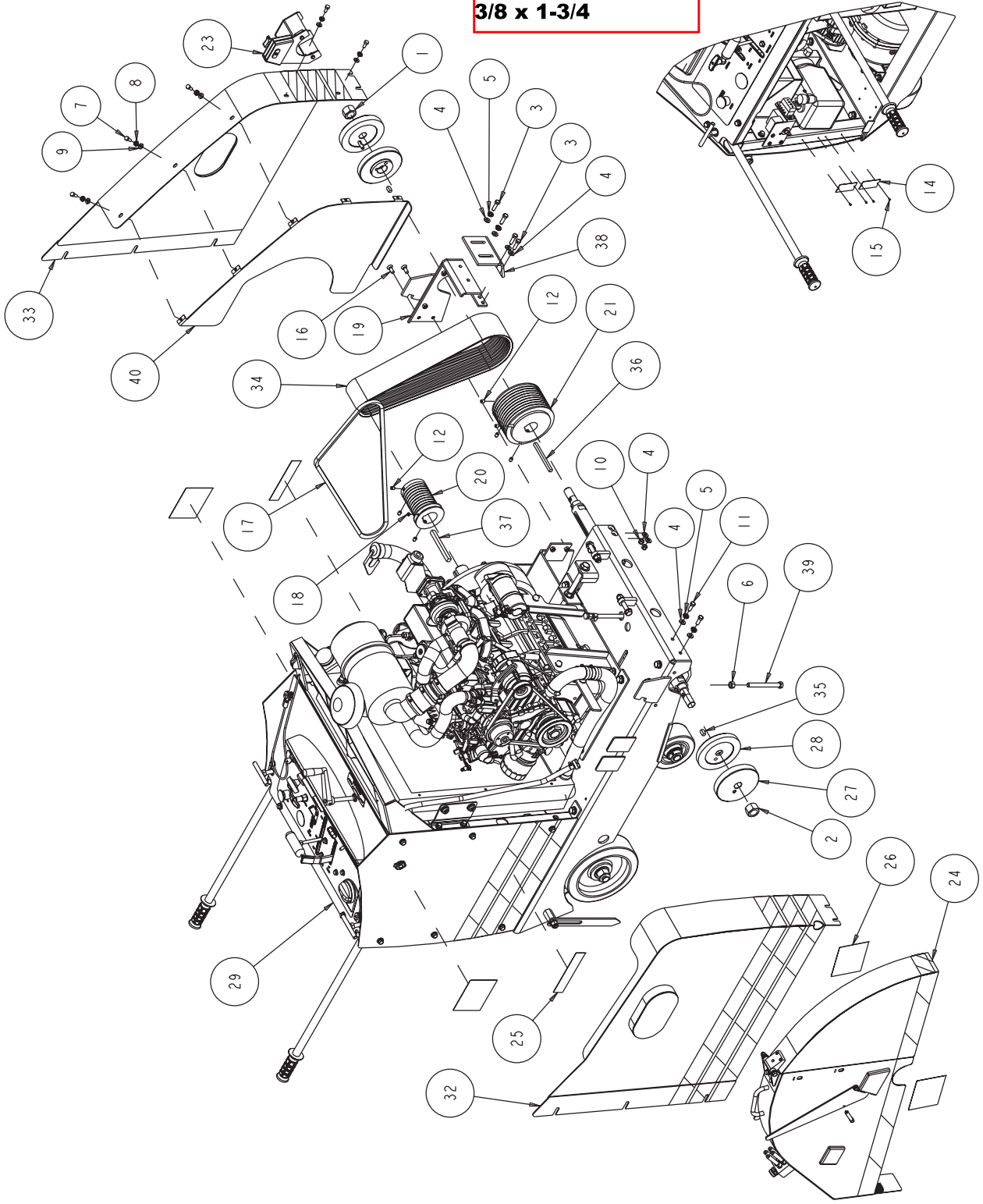
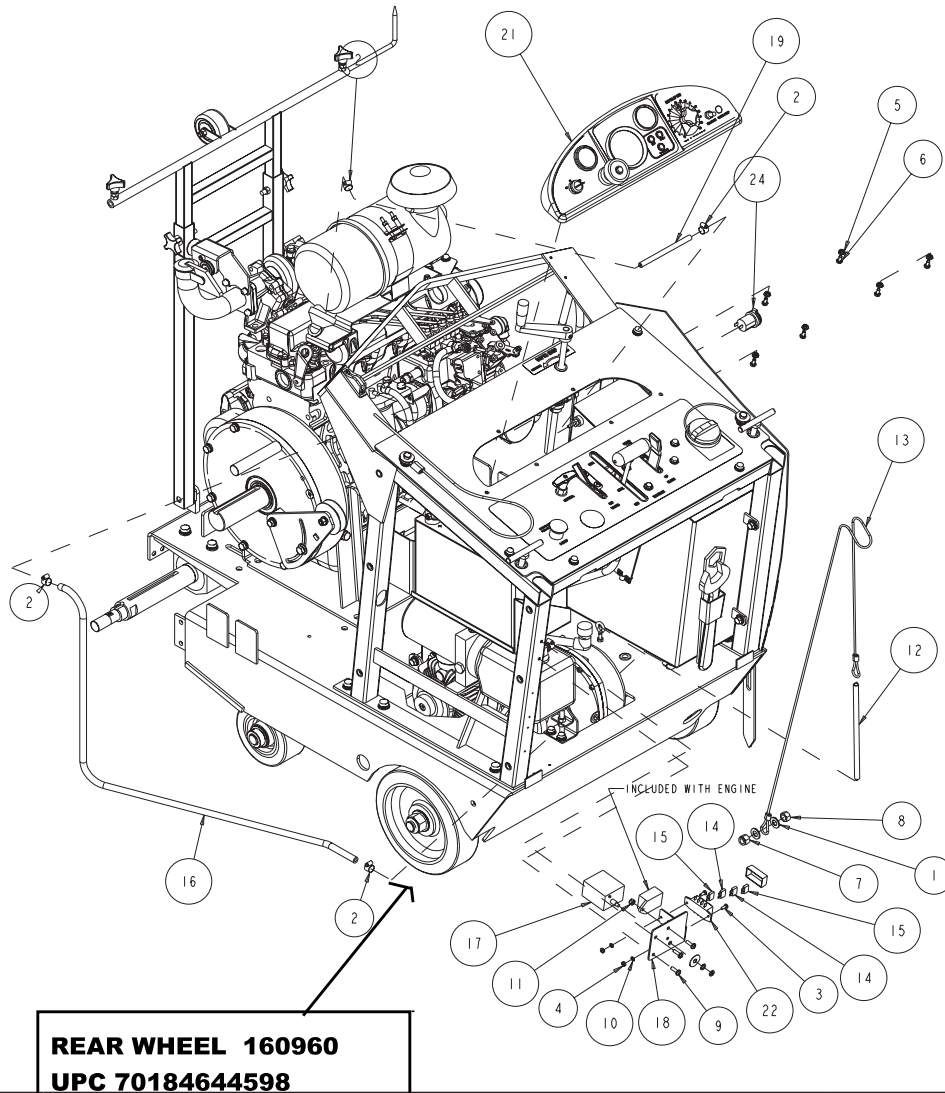




FIGURE 4 - PARTS LIST: C5936SD CONCRETE SAW P/N 168766-36

ITEM NO.	DESCRIPTION	PART #	QTY. REQ.
1	NUT, 1 - 14 RIGHT HAND	138693	1
2	NUT, 1 - 14 LEFT HAND	138701	1
3	SCREW, 3/8 - 16 X 1 - 1/4 HEX HEAD CAP	150774	4
4	WASHER, FLAT, SAE, 3/8	150923	8
5	WASHER, LOCK, SPLIT, 3/8	150925	4
6	NUT, 1/2 - 13 HEX	151282	1
7	SCREW, HEX HD CAP, 5/16 - 18 X 3/4	151369	5
8	WASHER, LOCK, SPLIT, 5/16	151747	5
9	WASHER, FLAT, SAE, 5/16	151754	5
10	NUT, 3/8 - 16 NYLON HEX	152505	2
11	SCREW, HEX HD CAP, 3/8 - 16 X 1	152507	2
12	SCREW, SET, SOC, CUPT, 3/8 - 16 X 1/2	153710	7
13	CARD, WARRANTY, NORTON	155859	1
14	TAG, SERIAL #, BLANK	157500-RW	2
15	DRIVE SCREW, #7 X 5/16 ROUND HEAD	157849	4
16	SCREW, 3/8 - 16 X 1 FLATHEAD MACHINE	162067	2
17	BELT, A63	162979	1
18	SCREW, 3/8 - 16 X 3.8 SOCKET HEAD SET, CUP POINT	163261	1
19	CORNER, FRAME	165458-36	1
20	PULLEY, 10 - 3VX3.4 X 2BORE	165463	1
21	PULLEY, 103VX 6.8 X 1 - 3/4BORE	165467	1
22	SHEET, WARNING LABELS, CONCRETE	166009	1
23	ASSY, SHAFT GUARD	166056	1
24	ASSY, BLADE GUARD 36"	168279-36	1
25	LABEL, C5936SS MODEL	168545-5936	2
26	LABEL, NORTON/CLIPPER LOGO	168546	4
27	ASSY, FLANGE, OUTER, 6"	168596-6	2
28	FLANGE, 6" INNER	168598-6	2
29	C5900SS CONC SAW-PARENT	168776	1
30	OWNERS MANUAL, C59	168776-OM	1
31	PARTS MANUAL, C59	168776-PM	1
32	COVER, ENGINE, RIGHT, C59	168934-NRT	1
33	COVER, ENGINE, LEFT, C59	168935-NRT	1
34	BELT, 10/3VX500	169214-10	1
35	KEY, SQR, 3/8 X 3/4	169371	2
36	KEY, 3/8 SQUARE X 5	169566	1
37	KEY, 1/2 SQR X 5.25	169567	1
38	PLATE, BELT PROTECTOR	169568	1
39	SCREW, HEX HD, TAP, 1/2 - 13 X 5	169570	1
40	GUARD, BELT, INNER, C59	169652	1

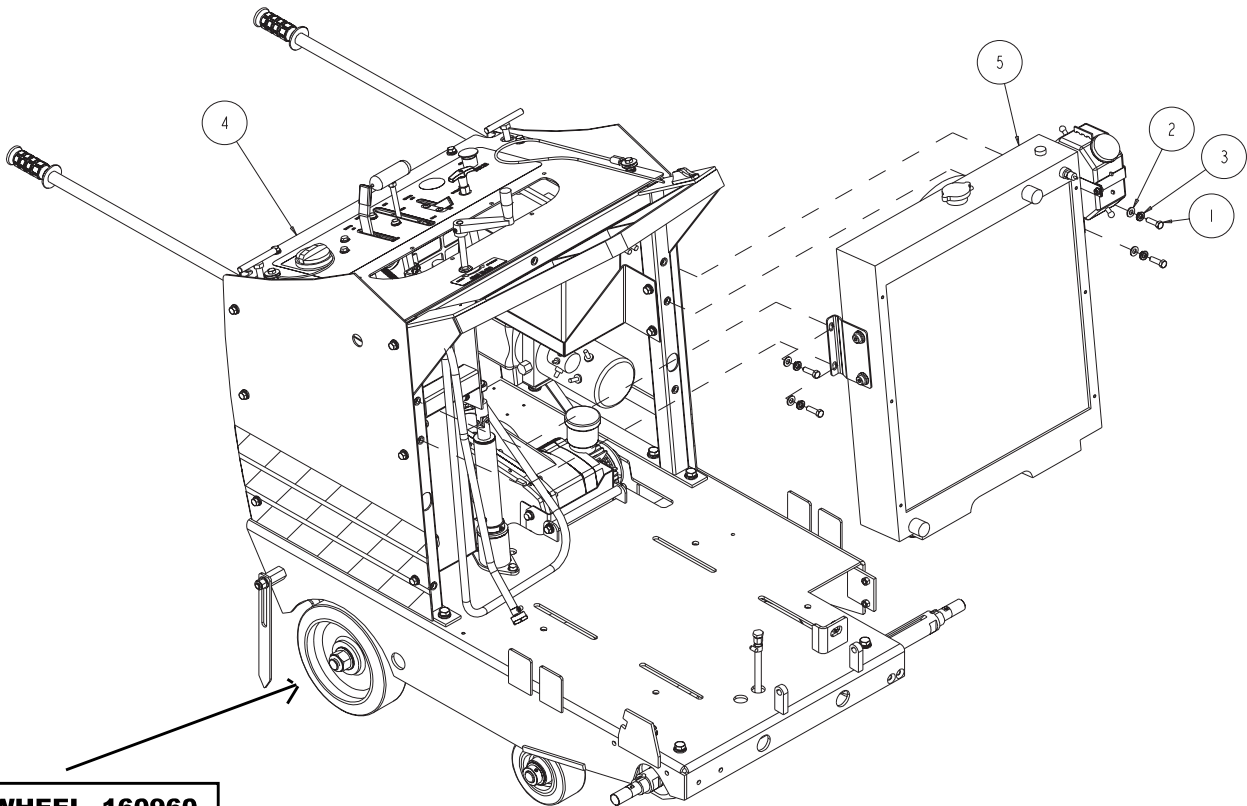
FIGURE 5 - PARTS LIST: C5900SS CONCRETE SAW P/N 168776



ITEM NO.	DESCRIPTION	PART #.	QTY. REQ.
1	WASHER, 1/2 SAE FLAT	150924	2
2	CLAMP, 5/8 HOSE	151198	4
3	SCREW, 10 - 24 X 12 PAN HEAD PHILLIPS MACHINE	151744	2
4	NUT, HEX, 10 - 24	151749	2
5	WASHER, 1/4 SPLIT LOCK	152591	6
6	SCREW, 1/4 - 20 X 1/2 HEX HEAD	152608	6
7	NUT, 1/2 - 13 NYLOK HEX	155162	1
8	NUT, 1/2 - 13 CENTERLOCK HEX	156279	1
9	SCREW, PAN HD, 1/4 - 20 X 3/4	157523	3
10	WASHER #10, INTERNAL TEETH	158336	2
11	NUT, HEX, NYLK, 1/4 - 20	159857	1
12	SPRING, .44 X 10.3 X .04 155603 1 EXTENSION	162627	1
13	CABLE, 52" DEPTH INDICATOR	162628	1

FIGURE 5 - PARTS LIST: C5900SS CONCRETE SAW P/N 168776

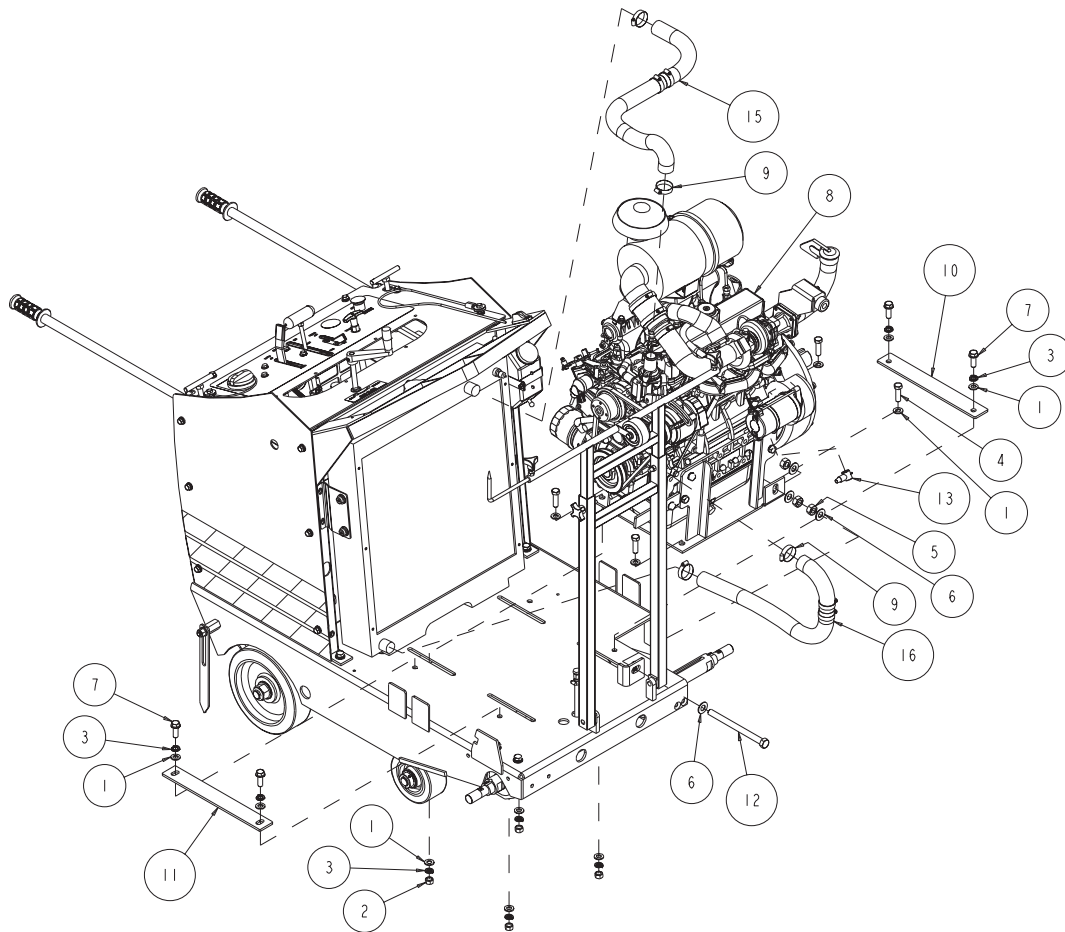
ITEM NO.	DESCRIPTION	PART #.	QTY. REQ.
14	FUSE, 10A ATC BLADE	164597	2
15	FUSE, 5A ATC BLADE	164598	2
16	HOSE, 51/6 FUEL, 48"	164958	1
17	SWITCH, MAGNETIC, 12/24V, MDL117	167502	1
18	BRACKET, FUSEBOX, KB	167536	1
19	HOSE, FUEL, 3/16 ID (6.0')	167674	1
20	ANTIFREEZE/COOLANT (1.5 GAL)	167692	1
21	ASSY, INSTRUMENT PANEL, KB	169142-NRT	1
22	BLOCK, FUSE, 4-SLOT	169148	1
23	WIRE HARNESS, KB2403	169563	1
24	RECEPTACLE, 12VDC	169571	1



**REAR WHEEL 160960**  
**UPC 70184644598**

ITEM NO.	DESCRIPTION	PART #.	QTY. REQ.
1	SCREW, 3/8 - 16 X 1 - 1/4 HEX HEAD CAP	150774	4
2	WASHER, FLAT, SAE, 3/8	150923	4
3	WASHER, LOCK, SPLIT, 3/8	150925	4
4	ASSY, C59/61 LESS ENGINE	165151-NRT	1
5	ASSY, RADIATOR	169103	1

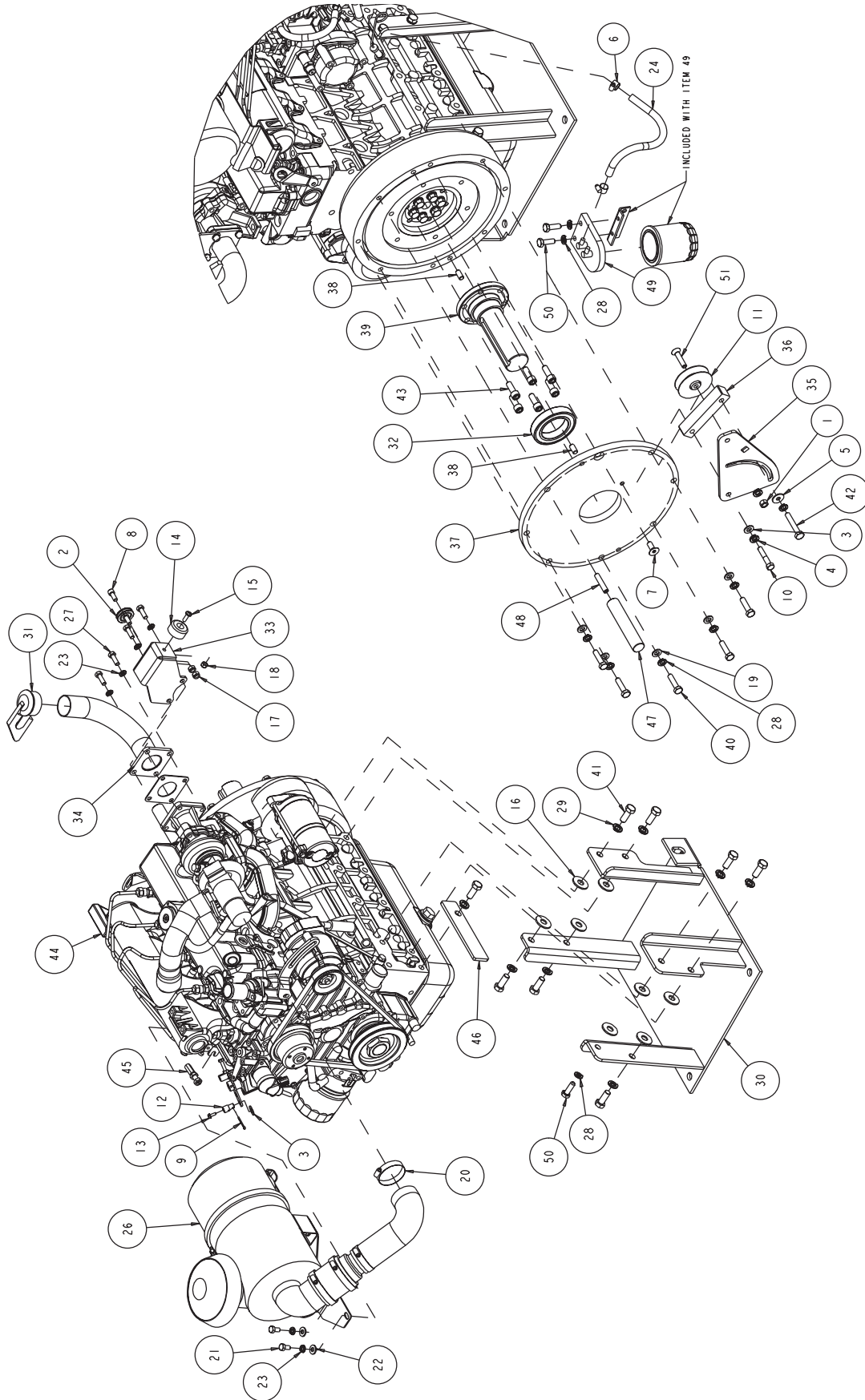
FIGURE 5 - PARTS LIST: C5900SS CONCRETE SAW P/N 168766



ITEM NO.	DESCRIPTION	PART #	QTY. REQ.
1	WASHER, 1/2 SAE FLAT	150924	12
2	NUT, 1/2 - 13 HEX	151282	4
3	WASHER, 1/2 SPLIT LOCK	153524	8
4	SCREW, 1/2 - 13 X 1 - 3/4 HEX HEAD CAP	153853	4
5	NUT, HEX JAM 5/8 - 11 UNC	155603	3
6	WASHER, FLAT, 5/8 SAE Use 8172013	158350	5
7	SCREW, 1/2 - 13 X 1 - 1/2 HEX FLANGE HEAD, RIGHT HAND	160819	4
8	ASSY, ENGINE, KUBOTA 59	165153	1
9	CLAMP, 1 - 1/16 TO 2 HOSE	167617	4
10	BRACKET, ENG GUIDE, LEFT	168295	1
11	BRACKET, ENG GUIDE, RIGHT	168296	1
12	SCREW, HEX, TAP, 5/8 - 11 X 8	169110	1
13	COVER, 8 - 4 AWG TERMINAL, RED	169355	1
14	HOSE, SET, RAD, UPPER AND LOWER, KB2403	169396	1
15	HOSE, RAD, UPPER, KB2403	169396-01	1
16	HOSE, RAD, LOWER, KB2403	169396-02	1



FIGURE 6 - PARTS LIST: ASSY, ENGINE, KUBOTA, C59 P/N 165153



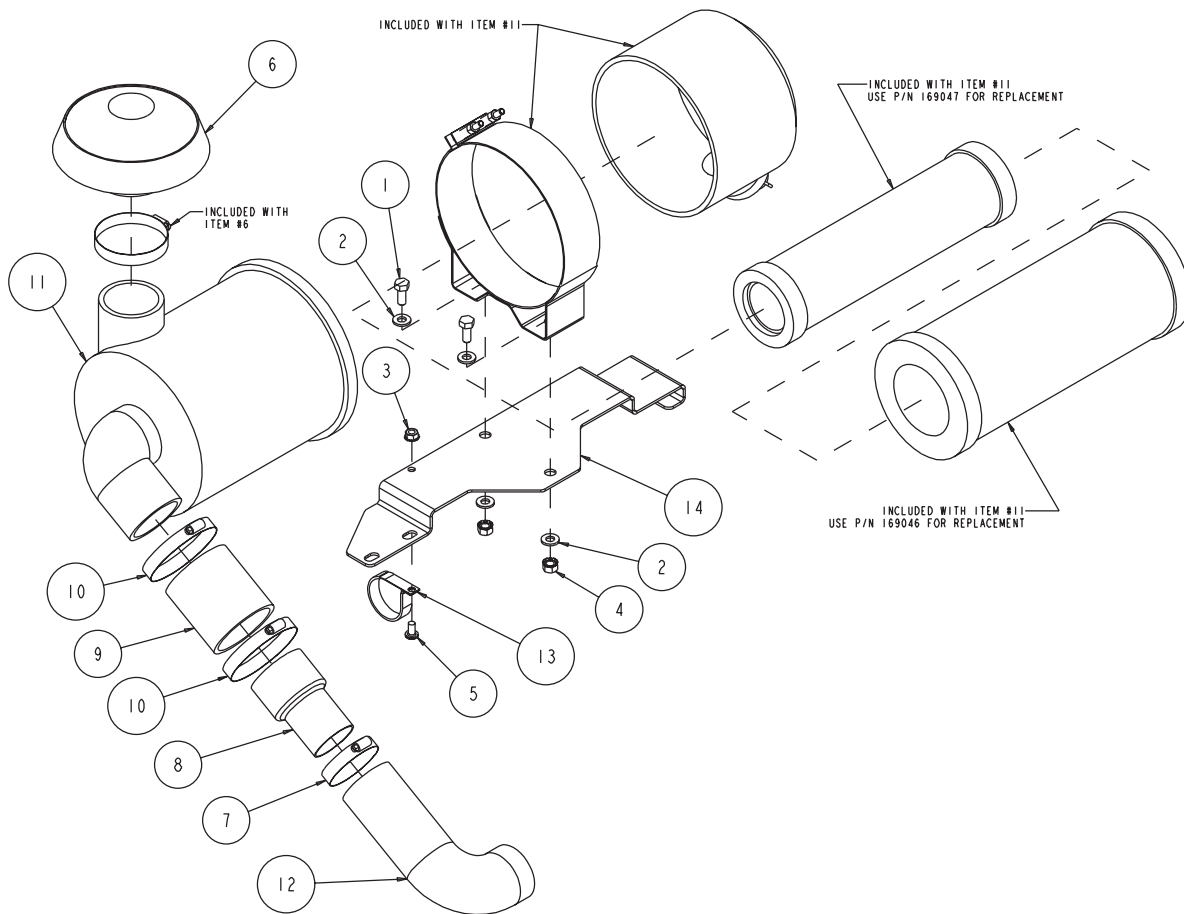


## ROAD SAW SERIES

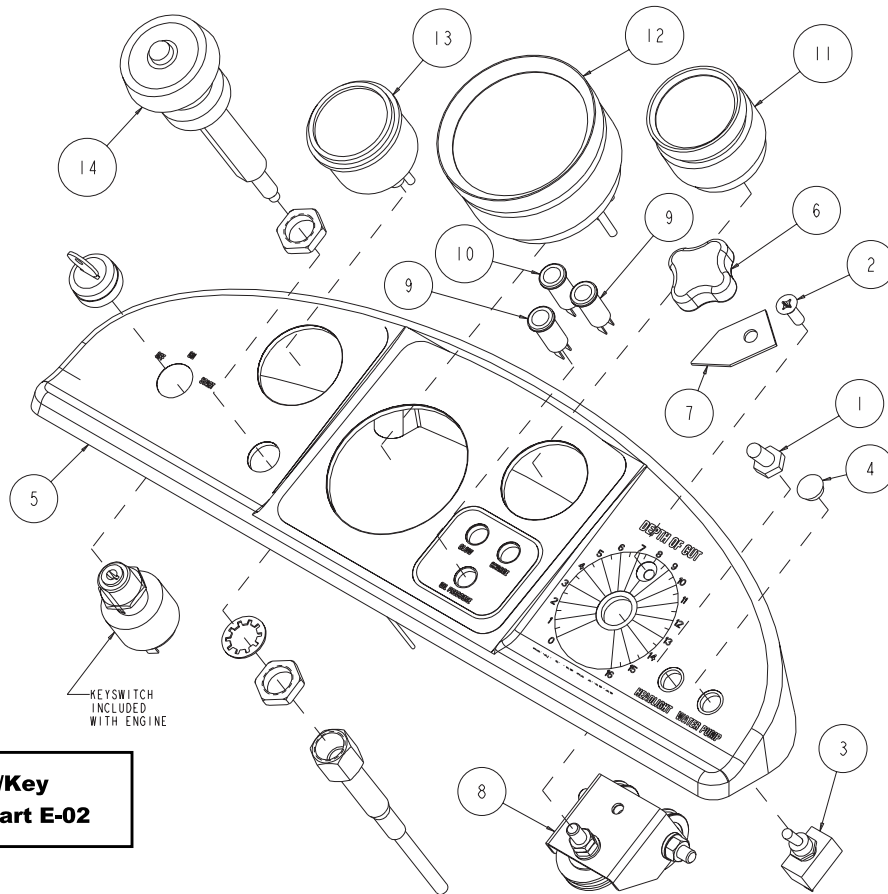
## PARTS LIST

ITEM NO.	DESCRIPTION	PART #	QTY. REQ.
1	NUT, HEX, 3/8 - 16 ( 8142003 )	101188	1
2	WHEEL, CONVEYOR CART	133090	1
3	WASHER, 3/8 SAE FLAT	150923	2
4	WASHER, 3/8 SPLIT LOCK	150925	2
5	WASHER, FENDER, 5/16 X 1.0	151053	1
6	CLAMP, 5/8 HOSE	151198	2
7	SCREW, FLAT HD, ALN, M10 - 1.5 X 25MM	151752	1
8	SCREW, SOC HD, 5/16 - 18 X 3/4	152444	1
9	PIN, 1/16 X 3/4 COTTER	152518	1
10	SCREW, HEX HD, 3/8 - 16 X 2	153485	1
11	PULLEY, IDLER, BV3001, W/CSINK	153797-CS	1
12	PIN, WIRE STOP	153842	1
13	SCREW, HEX HD FL 10 - 24X 5/16	154172	1
14	BUMPER, 1/4 ID X 1 - 1/20D X 3/4	154496	1
15	SCREW, PAN HD, 1/4 - 20 X 3/4	157523	1
16	WASHER, FLAT, USS, 1/2	157679	8
17	NUT, HEX, NYLK, 5/16 - 18	158289	2
18	NUT, HEX, NYLK, 1/4 - 20	159857	1
19	WASHER, FLAT, M10	160203	5
20	CLAMP, HOSE, 1 - 15/16 TO 2 - 1/4	162816	1
21	SCREW, HEX HD, M8 - 1.25 X 16MM	164223	2
22	WASHER, FLAT, M8	164855	2
23	WASHER, LOCK, SPLIT, M8	164860	6
24	HOSE, 5/16 FUEL, 12"	164958	1
25	OIL, 10 - 40 SAE MOTOR (1QT)	164970	6
26	ASSY, AIR CLEANER, KB2403	165290	1
27	SCREW, HEX, M8 - 1.25 X 25MM	167512	4
28	WASHER, LOCK, SPLIT, M10	167515	9
29	WASHER, LOCK, SPLIT, M12	167516	8
30	MONUT, ENGINE,KB2403	168563	1
31	CAP, WEATHER, 1 - 3/4 EXHAUST	168884	1
32	BEARING, BALL, 60 X95 X 18, 6012 - 2NSE	169029	1
33	BRACKET, POINTER STOP, KB2403	169030	1
34	PIPE, 1 - 3/4 EXHAUST, KB2403	169031	1
35	ARM, IDLER, TIGHT SIDE	169032	1
36	BLOCK, IDLER, KB2403	169033	1
37	PLATE, OUTBOARD BEARING, KB2403	169034	1
38	PIN, DOWEL, M10 X 20MM	168035	2
39	SHAFT, PTO, KB2403	169036	1
40	SCREW, HEX, M10 - 1.5 X 40MM	169037	5
41	SCREW, HEX, M12 - 1.25 X 30MM	169038	8
42	SCREW, HEX, M10 - 1.5 X 60MM	169039	1
43	SCREW SOC, 7/16 - 20 X 1 -1.4	169040	6
44	ENGINE, KUBOTA, V2403, 59HP (COMP)	169041	1
45	FITTING, THROTTLE CABLE END	169042	1
46	STANDOFF, ENG COVER, 2403, RH	169043	1
47	STANDOFF, ENG COVER, 2403, LH	169044	1
48	SCREW,SET M10 - 1.5 X 50MM	169045	1
49	KIT, FUEL FILTER, KB2403	169146	1
50	SCREW, HEX HD, M10 - 1.25 X 30MM	169395	3
51	SCREW, 3/8 - 16 X 1 - 1/4FLAT HEAD SOCKET	169561	1

FIGURE 7 - PARTS LIST: ASSY, AIR CLEANER KB P/N 165290



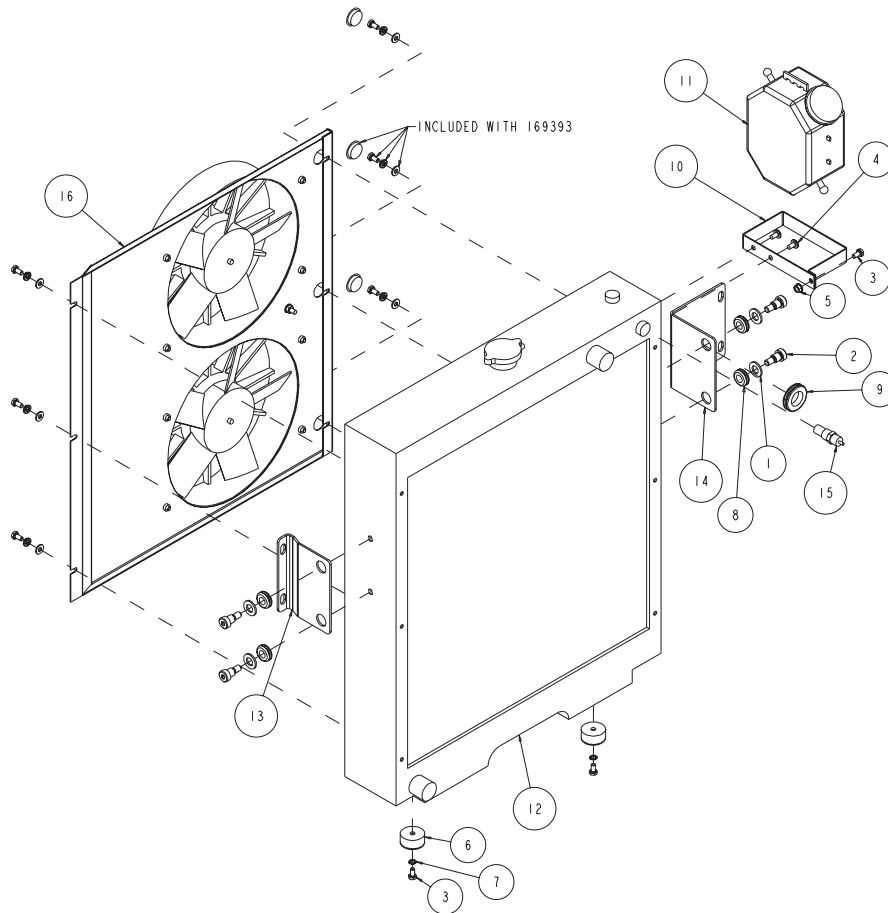
ITEM NO.	DESCRIPTION	PART #	QTY. REQ.
1	SCREW, HEX HD, CAP, 5/16 - 18 X 3/4	151369	2
2	WASHER, FLAT, SAE, 5/16	151754	4
3	NUT, HEX, TW, 1/4 - 20	153941	1
4	NUT, HEX, TW, 5/16 - 18	153942	2
5	SCREW, PAN HD, CAP, 1/4 - 20 X 1/2	155452	1
6	CAP, RAIN, 2.5" INLET	162609	1
7	CLAMP, HOSE, 1 - 15/16 TO 2 - 1/4	162816	1
8	ADAPTER, 1 - 7/8OD X 2 - 1/4ID	162857	1
9	HOSE, 2 - 1/2 ID INTAKE (COMP)	163986	1
10	CLAMP, HOSE, 2 - 5/16 TO 3 - 1/4	164242	2
11	AIR CLEANER, 2.5 - FW	165291	1
12	HOSE, 1 - 3/4 INTAKE, KB2403 (COMP)	165292	1
13	CLAMP, CUSHION LOOP, 1 - 3/4	167522	1
14	BRACKET, AIR CLEANER, KB2403	169028	1

**FIGURE 8 - PARTS LIST: ASSY, INSTRUMENT PANEL P/N 169142-NRT**

**Ignition Switch W/Key  
169145 Kubota Part E-02**

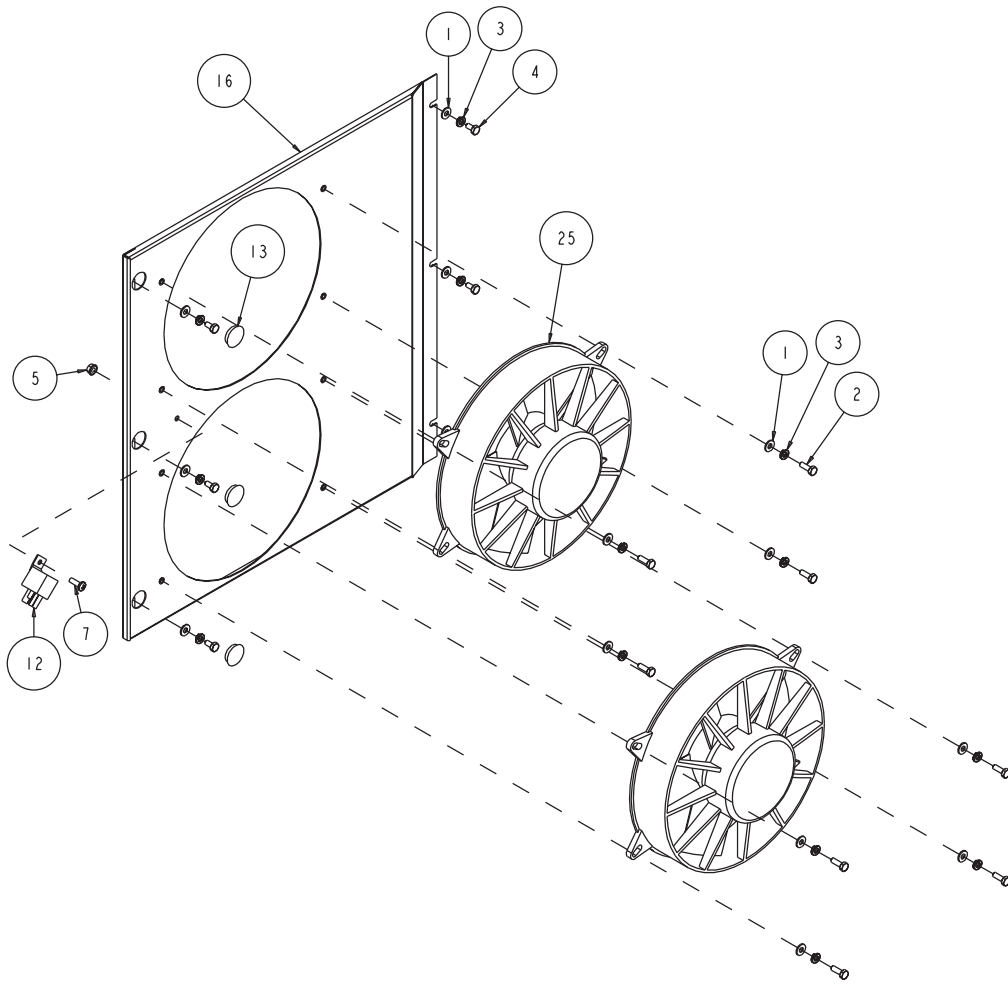
ITEM NO.	DESCRIPTION	PART #	QTY. REQ.
1	COVER, SWITCH	154301	1
2	SCREW, 1/4 - 20 X 3/4 FLAT HEAD PHILLIPS MACHINE	154657	1
3	SWITCH, TOGGLE 15A/120V 1 PST	156649	1
4	PLUG, 1/2 FLUSH HEAD BUTTON	156779	1
5	PANEL, INSTRUMENT (COMP)	160909-KB-NRT	1
6	KNOB, DEPTH INDICATOR (COMP)	162629	1
7	POINTER, DEPTH INDICATOR	162630	1
8	ASSY, DEPTH INDICATOR	162881	1
9	LIGHT, 1/2" DIA. PANEL, RED	163938	2
10	LIGHT, 1/2" DIA, PANEL, GREEN	163939	1
11	GAUGE, FUEL, ANALOG 70184694679	164151	1
12	GAUGE, TACH, DIESEL	164152-D	1
13	GAUGE, TEMP, 2"	167501	1
14	CONTROL, THROTTLE-COMP	169143	1

FIGURE 9 - PARTS LIST: ASSY, RADIATOR P/N 169103



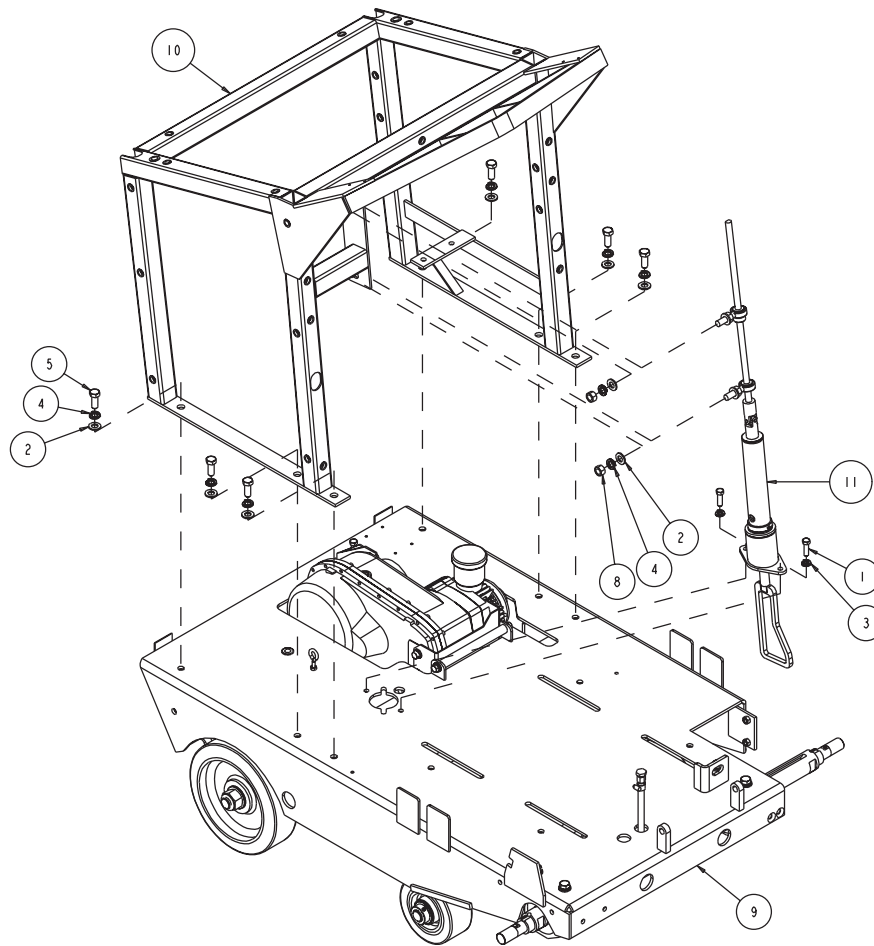
ITEM NO.	DESCRIPTION	PART #	QTY. REQ.
1	WASHER, 1/2 SAE FLAT	150924	4
2	SCREW, SHOULDER, 1/2 X 1/2	151753	4
3	SCREW, 1/4 - 20 X 1/2 HEX HEAD	152608	3
4	SCREW, 1/4 - 20 X 1/2 TRUSS HEAD	153880	2
5	NUT, HEX, TW, 1/4 - 20	153941	1
6	BUMPER, 1/4 ID X 1 - 1/200 X 3/4	154496	2
7	WASHER, LOCK, 1/4 INT TOOTH	162490	2
8	GROMMET 1/2 X 1.0	164207	4
9	GROMMET, 1 X 1 - 3/4 X 3/32	165185	1
10	BRACKET, RADIATOR BOTTLE	167208	1
11	RESERVOIR, COOLANT	167209	1
12	RADIATOR, 4 - CORE, 23 X 27.5	168726	1
13	BRACKET, RADIATOR, RH	169106	1
14	BRACKET, RADIATOR, LH	169107	1
15	SWITCH, TEMP, 185 DEG, 3/8PT	169295	1
16	FAN, DUAL, 12VDC, COMP	169393	1

FIGURE 10 - PARTS LIST: ASSY, RADIATOR FAN P/N 169393



ITEM NO.	DESCRIPTION	PART #	QTY. REQ.
1	WASHER, 1/4 SAE FLAT	151915	14
2	SCREW, HEX HD, 1/4 - 20 X 3/4	152370	8
3	WASHER, 1/4 SPLIT LOCK	152591	14
4	SCREW, 1/4 - 20 X 1/2 HEX HEAD	152608	6
5	NUT, HEX, TW, 1/4 - 20	153941	1
7	SCREW, PAN HD, 1/4 - 20 X 3/4	157523	1
11	FUSE, 40A ATC BLADE	164595	1
12	RELAY, 12V, 70A	164969	1
16	SHROUD, RADIATOR, DUAL 10" FAN	169105	1
25	FAN, RADIATOR, 11" DIA, 120DC	169387	2

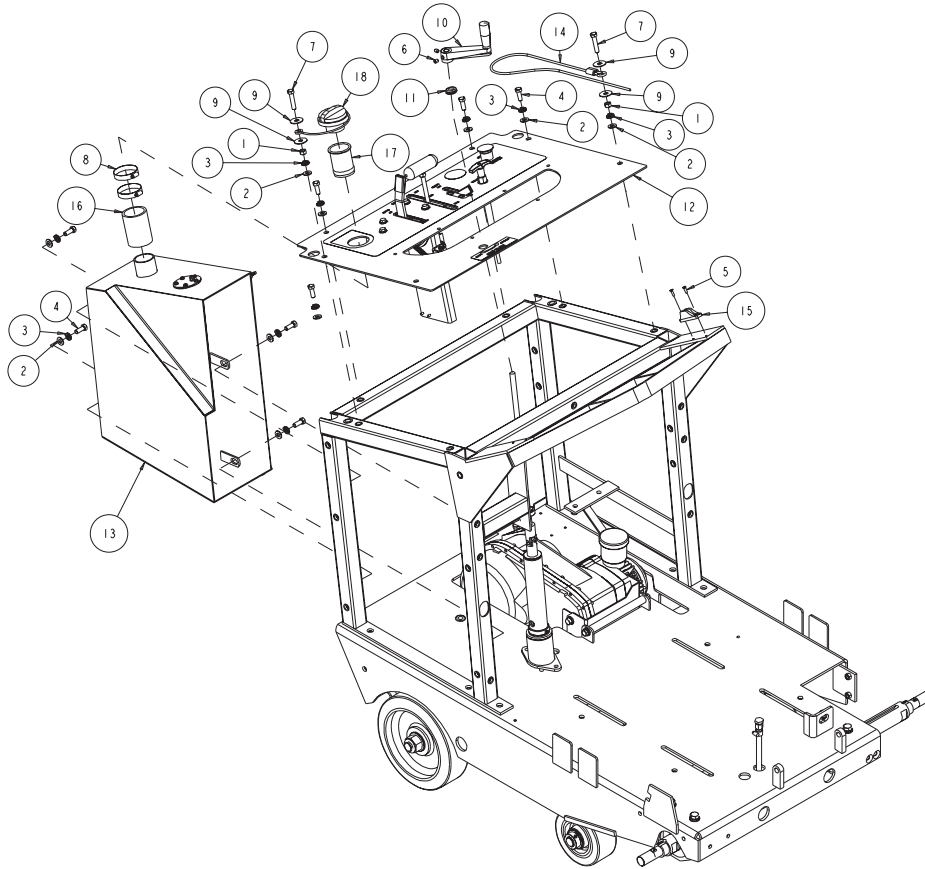
FIGURE 11 - PARTS LIST: ASSY, C59 SUB A P/N 165151-NRT



ITEM NO.	DESCRIPTION	PART#	QTY. REQ.
1	SCREW, 3/8-16 X 1-1/4 HEX HEAD CAP	150774	2
2	WASHER, 1/2 SAE FLAT	150924	8
3	WASHER, 3/8 SPLIT LOCK	150925	2
4	WASHER, 1/2 SPLIT LOCK	153524	8
5	SCREW, 1/2 - 13 X 1 - 1/4 HEX HEAD CAP	153532	6
6	NUT, 1/2 - 13 NYLOK HEX	155162	1
7	SCREW, HEX HD, TAP, 1/2 - 13 X 4	156626	1
8	NUT, 1/2 - 20 HEX	162586	2
9	ASSY, MAIN FRAME	165160	1
10	TOWER	165289	1
11	ASSY, DEPTH STOP	165602	1

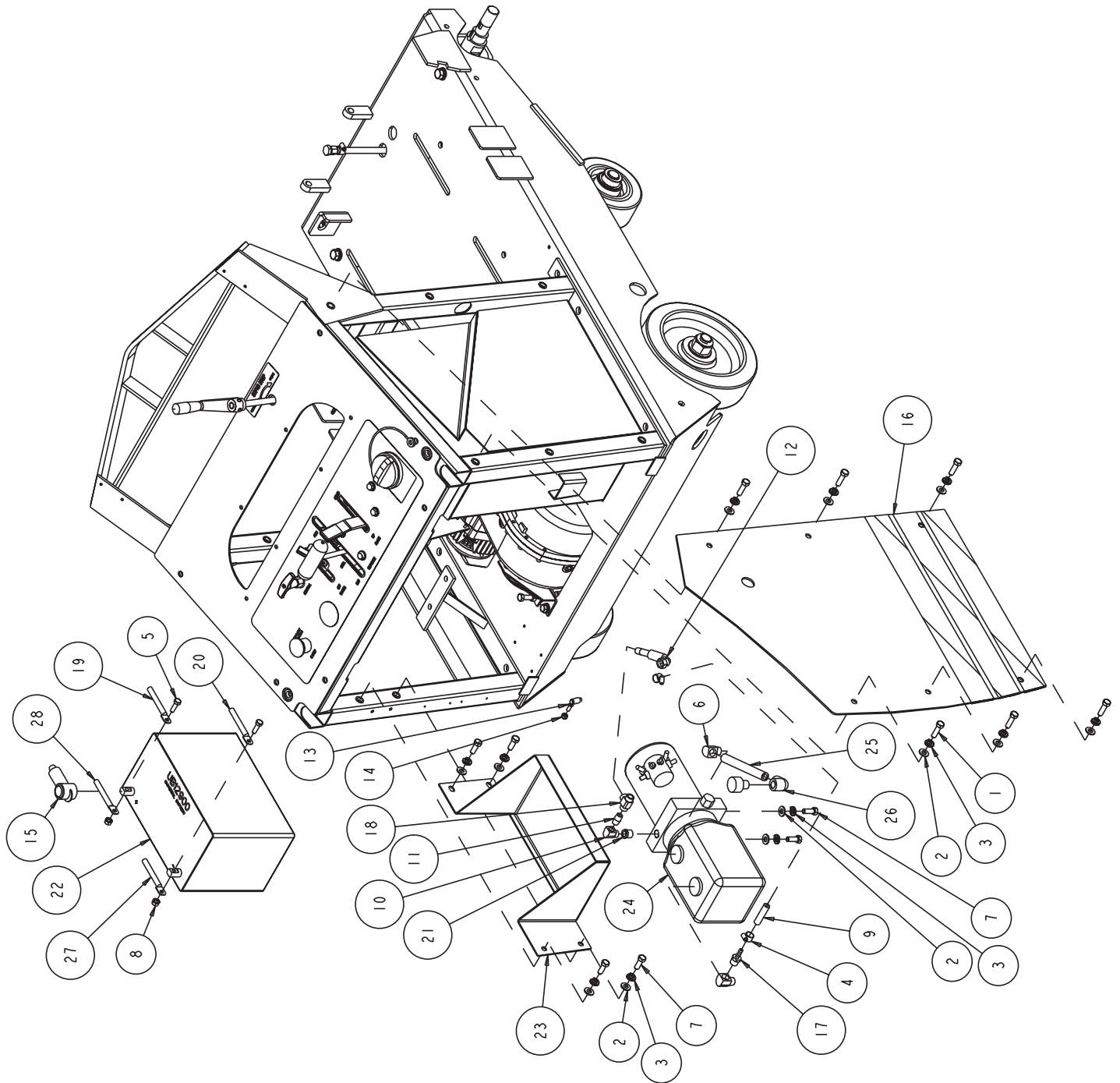


FIGURE 12 - PARTS LIST: ASSY, C59 SUB B P/N 165151-NRT



ITEM NO.	DESCRIPTION	PART #	QTY. REQ.
1	NUT, HEX, 3/8 - 16	101188	2
2	WASHER, 3/8 SAE FLAT	150923	10
3	WASHER, 3/8 SPLIT LOCK	150925	10
4	SCREW, HEX HD CAP, 3/8 - 16 X 1	152507	8
5	WASHER, LOCK, SPLIT, 5/16	154295	2
6	WASHER, FLAT, SAE, 5/16	157083	2
7	SCREW, 3/8 - 16 X 1 - 3/4 HEX HD	158398	2
8	CLAMP, 1 - 5/16 TO 2 - 1/4	162816	2
9	WASHER, FENDER, 3/8 ID X 1-1/2 OD	163269	4
10	HANDLE, DEPTH STOP ( COMP)	163987	1
11	GROMMET 1/2 X 1.0	164207	1
12	ASSY, CONTROL PANEL	165336-NRT	1
13	ASSY FUEL TANK, DIESEL	165601	1
14	ASSY, CABLE, POINTER	165739	1
15	CLEAT, 1/8" CABLE	165740	1
16	HOSE, 2.0 ID FUELFILL (COMP)	167213	1
17	NECK, 2" FUEL FILLER	167219-D	1
18	CAP, 2" FUEL FILLER	167220	1

FIGURE 13 - PARTS LIST: ASSY, C59 SUB C P/N 165151-NRT



**FIGURE 13 - PARTS LIST: ASSY, C59 SUB C P/N 165151-NRT**

ITEM NO.	DESCRIPTION	PART #	QTY. REQ.
1	SCREW, 3/8 - 16 X 1 - 1/4 HEX HEAD CAP	150774	6
2	WASHER, FLAT, SAE, 3/8	150923	12
3	WASHER, LOCK, SPLIT, 3/8	150925	12
4	CLAMP, 5/8 HOSE	151198	2
5	SCREW, HEX HD, 5/16 - 18 X 1	151743	2
6	ELBOW, 3/8 NPT STREET	152074	2
7	SCREW, HEX HD CAP, 3/8 - 16 X 1	152507	6
8	NUT, HEX, TW, 5/16 - 18	153942	2
9	HOSE, 1/4 FUEL, 36" LONG	154163	1
10	ELBOW, 1/4MNPT STREET	154615	1
11	NIPPLE, 1/4 NPT X CLOSE, BRASS	159905	1
12	HOSE, 1/4NPT X 9/16JIC90 HYD	162600	1
13	BALL, JOINT, 30 SERIES	162859	1
14	NUT, HEX, NYLK, 1/4 - 28	163936	1
15	COVER, 1" BATTERY TERMINAL, RED	163940	1
16	PANEL, TOWER R/H	165343-NRT	1
17	FITTING, 3/8 MNPT X 1/4 BARB, BRASS	167239	1
18	FITTING, TEE, 1/4 FNPT, BRASS	167272	1
19	CABLE, 4GA X 29 RED BATTERY	167273	1
20	CABLE, BATTERY, BLACK, 4GA 36"	167289	1
21	FITTING, 3/8 MNPT X 1/4 FNPT	167506	1
22	BATTERY, 12 VOLT 90 AMP - HOUR	168727	1
23	BOX, BATTERY, 90AH	168728	1
24	PUMP, HYDRAULIC	168752	1
25	NIPPLE, 3/8NPT X 6.0, PLAS	169372	1
26	ELBOW, 3/8NPT, PLAS	169373	1
27	CABLE, BATTERY, 4GA X 60 BLACK	169376	1
28	CABLE, BATTERY, 4GA X 65 RED	169378	1

FIGURE 14 - PARTS LIST: ASSY, C59 SUB D P/N 165151-NRT

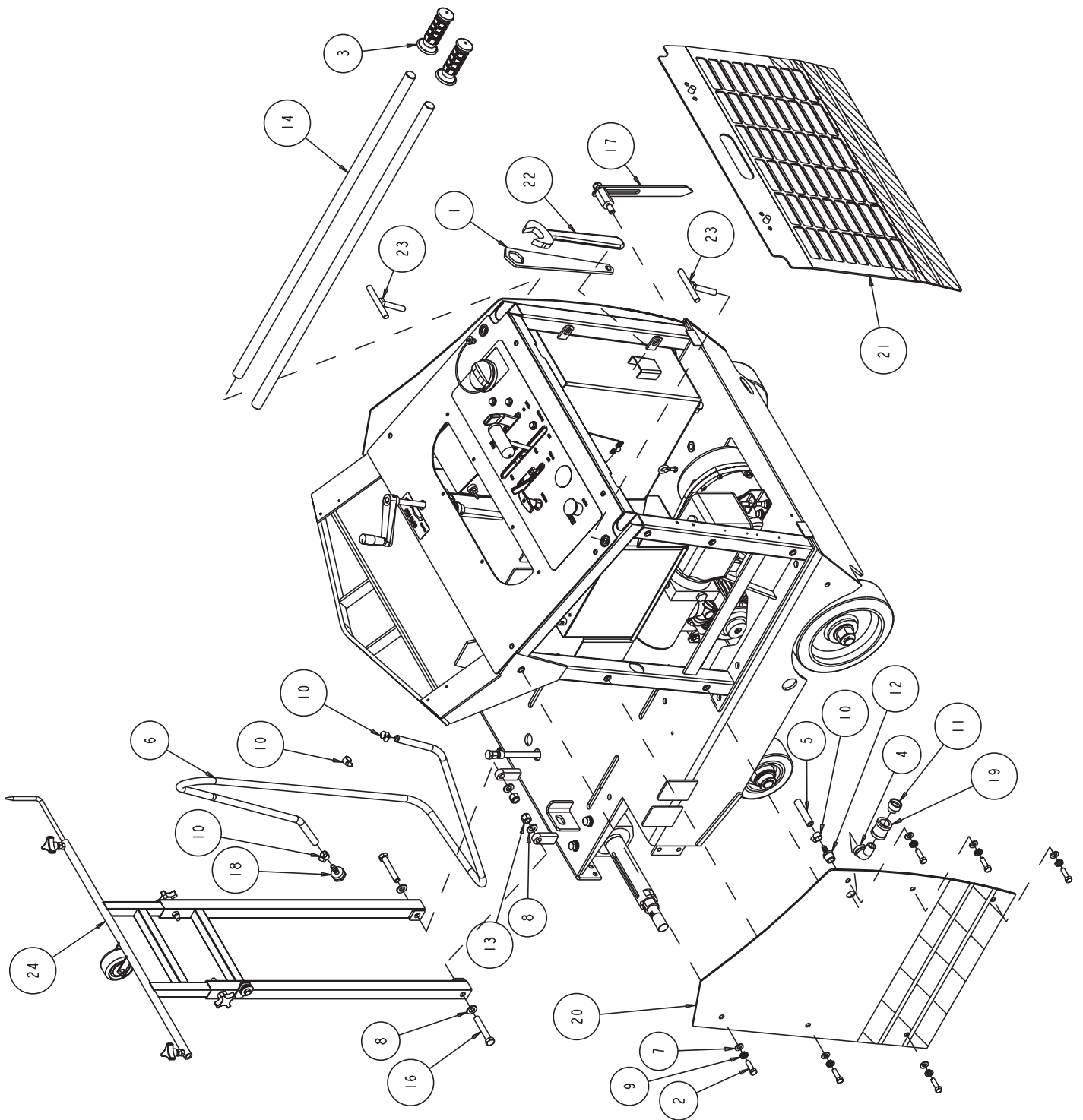
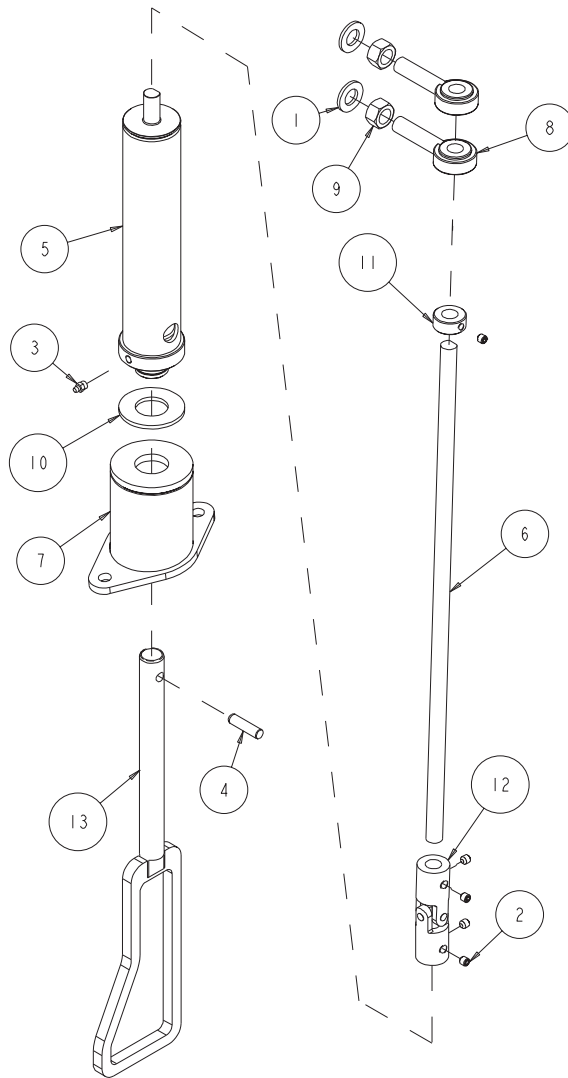


FIGURE 14 - PARTS LIST: ASSY, C59 SUB D P/N 165151-NRT

ITEM NO.	DESCRIPTION	PART #	QTY. REQ.
1	WRENCH, BOX END, 1 - 1/2 X 9/16	137976	1
2	SCREW, 3/8 - 16 X 1 - 1/4 HEX HEAD CAP	150774	6
3	GRIP, HANDLE, 1.0 ID	150842	2
4	ELBOW, 1/2 MNPT 90 STREET , GALV	150844	1
5	HOSE, 3/8 X 5/8 VINYL, 8"	150845	1
6	HOSE, 3/8 X 5/8 VINYL, 18"	150845	1
7	WASHER, FLAT, SAE, 3/8	150923	6
8	WASHER, 1/2 SAE FLAT	150924	4
9	WASHER, LOCK, SPLIT, 3/8	150925	6
10	CALMP, 5/8 HOSE	151198	4
11	FITTING, 1/2 MNPT X 3/8 FNH	151322	1
12	FITTING, 1/2 MNPT X 3/8 BARB	153653	1
13	NUT, 1/2 - 13 NYLOK HEX	155162	2
14	HANDLEBAR 70184602485	161158	2
15	PALLET, 4000	162658	1
16	SCREW, HEX HD, CAP, 1/2 - 13 X 3	163216	2
17	ASSY, REAR POINTER	163824	1
18	FITTING, 3/4 X 11.5 FNH X 3/8 BARB	163991	1
19	FITTING, 1/2 NPT COUPLER	164208	1
20	PANEL, TOWER L/H	165342-NRT	1
21	ASSY, BACK PANEL, LATCHING 70184602421	165344-NRT	1
22	WRENCH, 1 - 3/8 OPEN END	168750	1
23	KNOB, T-HANDLE, 1/2 - 13 X 2	168751	2
24	ASSY, POINTER, FRONT	169111-NRT	1

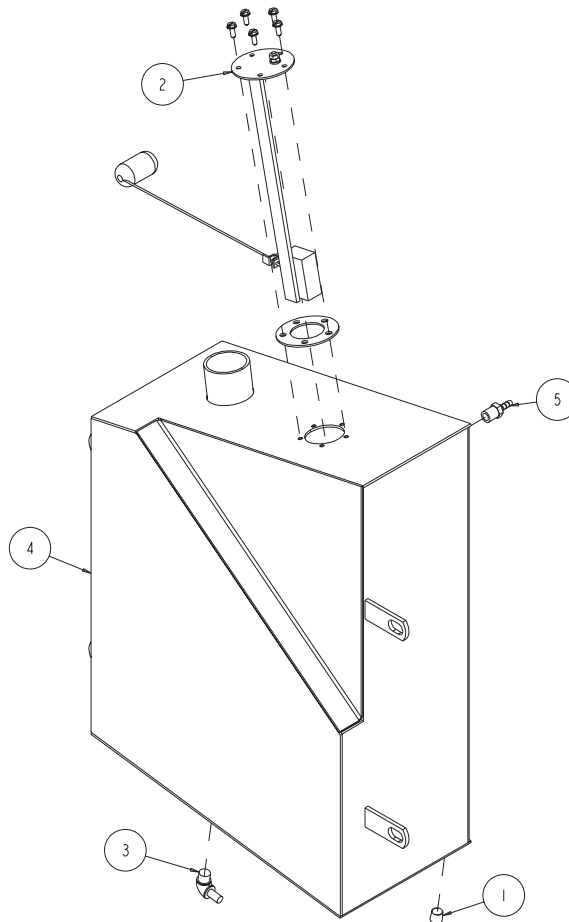
FIGURE 15 - PARTS LIST: ASSY, DEPTH STOP P/N 165602



ITEM NO.	DESCRIPTION	PART #	QTY. REQ.
1	WASHER, 1/2 SAE FLAT	150924	2
2	SCREW, 5/16 - 18 X 1/2 SOCKET HEAD SET	152607	4
3	FITTING, 1/4 - 28 GREASE	153852	1
4	PIN, 5/16 X 1-1/4 GROOVE	160458	1
5	TUBE, DEPTH STOP	161138	1
6	ARM, DEPTH STOP LINKAGE	161156	1
7	CUP, DEPTH STOP	162582	1
8	ROD END, 1/2" BALL JOINT	162583	2
9	NUT, 1/2 - 20 HEX	162586	2
10	BEARING, 1 X 2 X 1/8 BRONZE THRUST	162623	1
11	COLLAR, SHAFT, 1/2	162633	1
12	U-JOINT, 1.0 OD X 0.5 ID	163988	1
13	SCREW, DEPTH STOP	165288	1



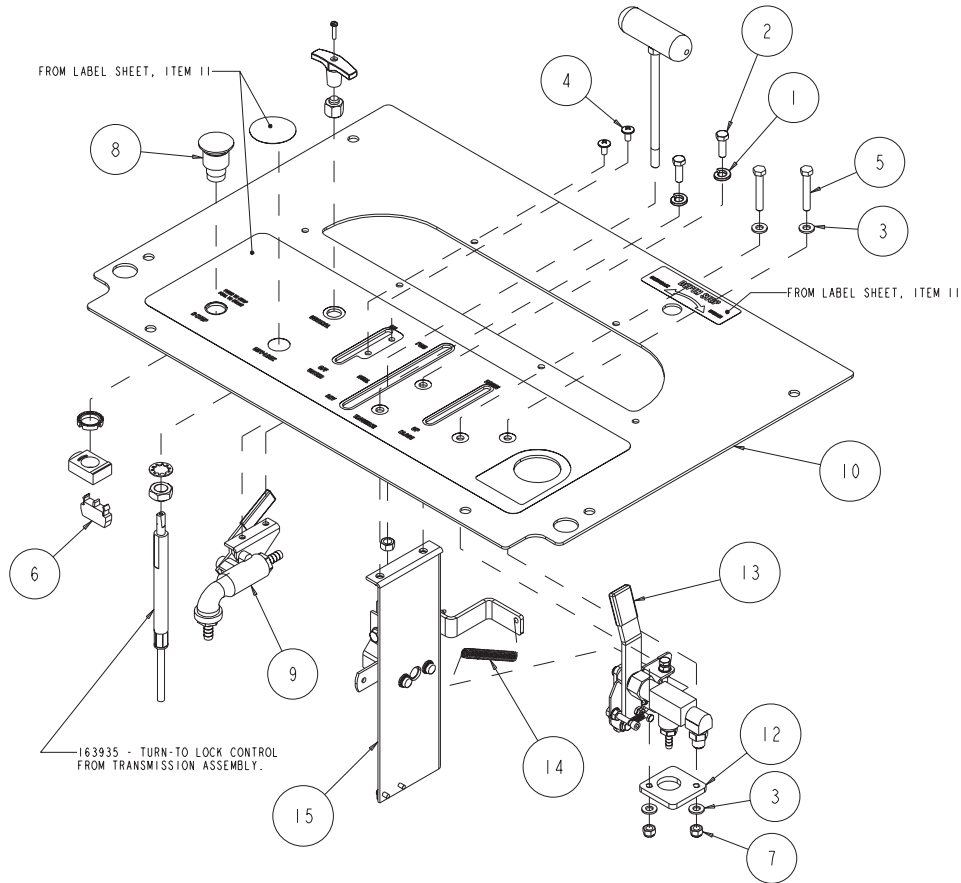
FIGURE 16 - PARTS LIST: ASSY, FUEL TANK P/N 165601



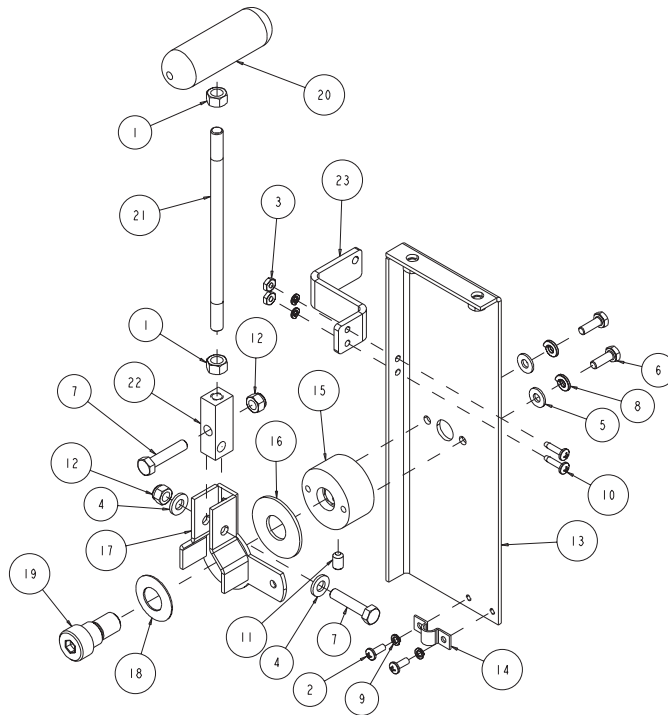
ITEM NO.	DESCRIPTION	PART #	QTY. REQ.
1	PLUG, 1/4NPT HEX SOCKET	154679	1
2	SENDER, FUEL	162636	1
3	ELBOW, 1/4MNPT X 5/16BARB, BRASS	164278	1
4	TANK, FUEL	165286	1
5	FITTING, 1/4MNPT X 3/16 BARB	169361	1

**The Kubota engines can be run on mixtures of up to 5% of Biodiesel fuel only. There has been no testing of Kubota engines running on vegetable oil to date.**

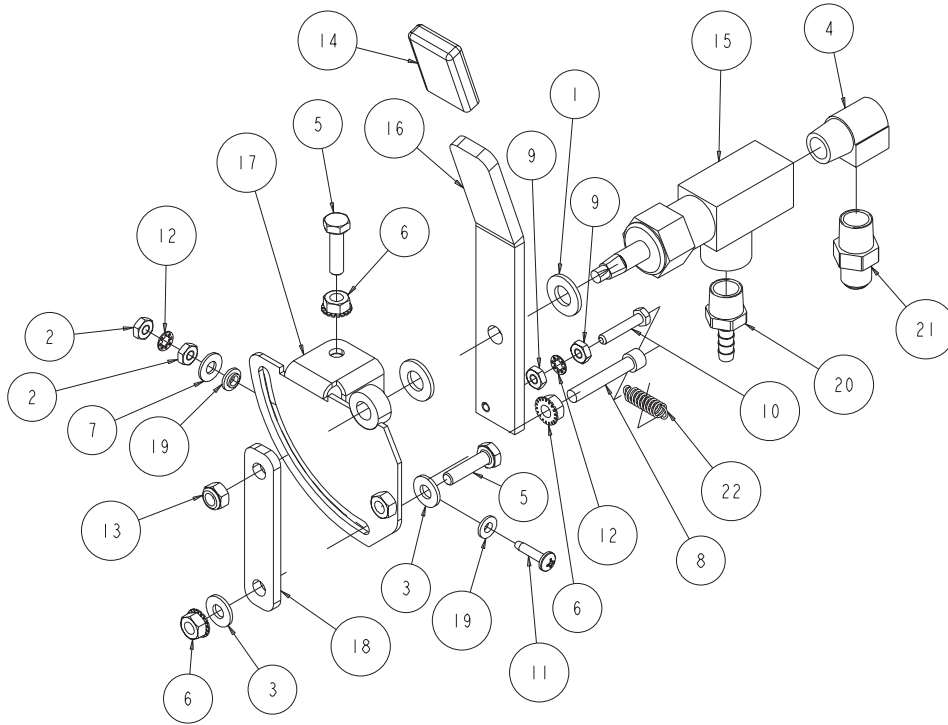
FIGURE 17 - PARTS LIST: ASSY, CONTROL PANEL, P/N 165336-NRT



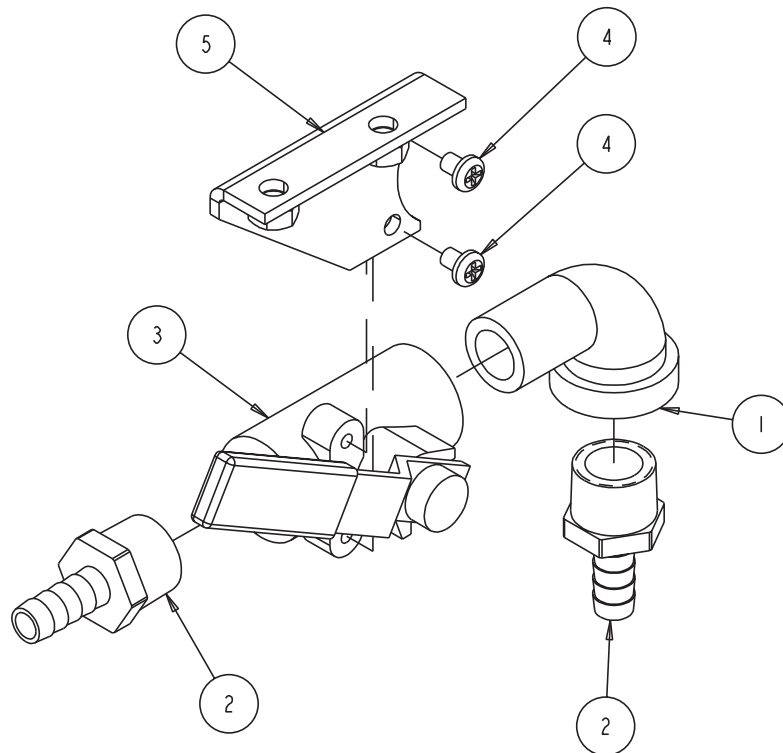
ITEM NO.	DESCRIPTION	PART #	QTY. REQ.
1	WASHER, 3/8 SPLIT LOCK	150925	2
2	SCREW, 5/16-18 X 1 HEX HEAD MACHINE	151743	2
3	WASHER, 5/16 SAE FLAT	151754	4
4	SCREW, 1/4-20 X 1/2 TRUSS HEAD	153880	2
5	SCREW, 5/16-18 X 2 HEX HEAD	155494	2
6	CONTACTS, NC	156204	1
7	NUT, 5/16-18 NYLOK HEX	158289	2
8	ASSY, SWITCH BUTTON, GAS	162080	1
9	ASSY, WATER VALVE	164161	1
10	PANEL, CONTROL	165337-NRT	1
11	LABEL, SET, CONTROL PANEL	167218	1
12	PLATE, UP/DOWN CONTROL MOUNT	167232	1
13	ASSY, UP/DOWN CONTROL	167233	1
14	SPRING, EXT, 7/160D X .048WD X 3.0L	167270	1
15	ASSY, CONTROLHEAD, FNR 70184602775	168753	1

**FIGURE 18 - PARTS LIST: ASSY, CONTROLHEAD, FNR SUB P/N 168753** 70184602775

ITEM NO.	DESCRIPTION	PART #	QTY. REQ.
1	NUT, 3/8-16 HEX	101188	2
2	SCREW, 10-24 X 1/2 PAN HEAD PHILLIPS MACHINE	151744	2
3	NUT, 10-24 HEX	151749	2
4	WASHER, 5/16 SAE FLAT	151754	2
5	WASHER, 1/4 SAE FLAT	151915	2
6	SCREW, HEX HD, 1/4 - 20 X 3/4	152370	2
7	SCREW, 5/16-18 X 1-1/2 HEX HEAD MACHINE	152467	2
8	WASHER, 1/4 SPLIT LOCK	152591	2
9	WASHER, #10 SPLIT LOCK	153684	4
10	SCREW, PAN HD PHIL MS 10-24X3/4	156641	2
11	SCREW, 5/16 - 18 X 3/8 SOCKET HEAD SET	157084	1
12	NUT, 5/16-18 NYLOK HEX	158289	2
13	BRACKET, FNR CONTROL	162634	1
14	CLAMP, 30 SERIES CONDUIT	162860	1
15	JOURNAL, FNR CONTROL	162889	1
16	WASHER, 2.0 X .812 X .088 NYLON	162890	1
17	BRACKET, FNR PIVOT	162891	1
18	SPRING, 1.50 X .755 X .045, DISK	162892	1
19	SCREW, 3/4 X 1/2 SOCKET HEAD SHOULDER	162893	1
20	HANDLE, FNR GRIP	167227	1
21	BAR, FNR HANDLE	167228	1
22	BLOCK, FNR HANDLE	167229	1
23	BRACKET, FNR SPRING	167231	1

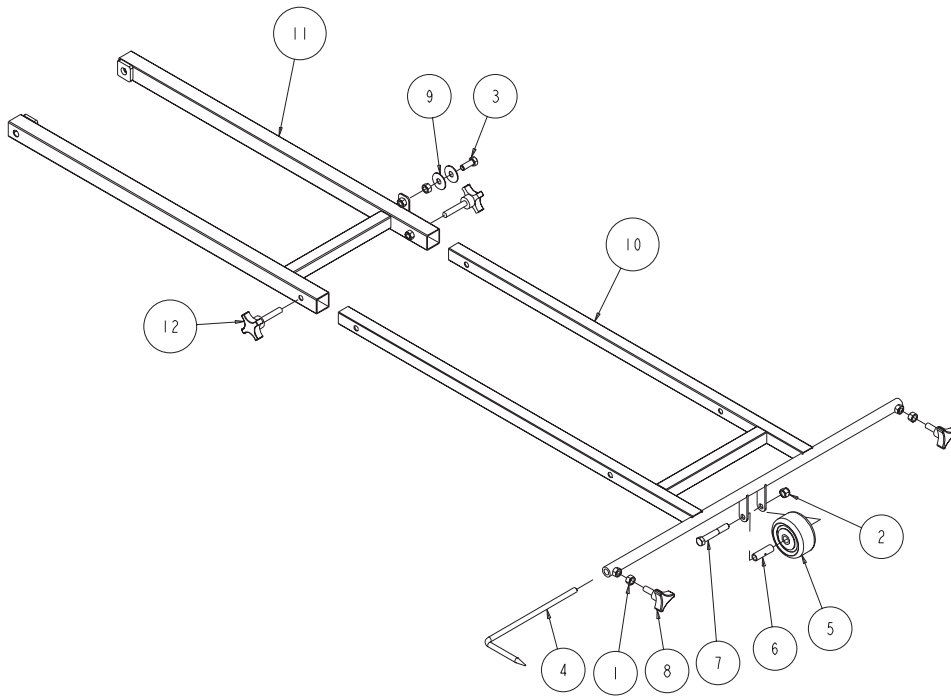
**FIGURE 19 - PARTS LIST: ASSY, UP/DOWN CONTROL P/N 167233**

ITEM NO.	DESCRIPTION	PART #	QTY. REQ.
1	WASHER, 3/8 SAE FLAT	150923	2
2	NUT, 10-24 HEX	151749	2
3	WASHER, 1/4 SAE FLAT	151915	2
4	ELBOW, 3/8 NPT STREET	152074	1
5	SCREW, HEX HD CAP, 1/4-20 X 1	152676	2
6	NUT, HEX W/WSHR, 1/4-20	153941	3
7	WASHER, #10 SAE FLAT	154369	1
8	SCREW, SOC HD CAP, 1/4- 20 X 1	154683	1
9	NUT, HEX 10-32	156269	2
10	SCREW, 10-32 X 1 HEX HEAD CAP	156270	1
11	SCREW, PAN HD PHIL MS 10-24X3/4	156641	1
12	WASHER #10, INTERNAL TEETH	158336	2
13	NUT, HEX, NYLK, 1/4-28	163936	1
14	CAP, PUSH-ON, VINYL, 1 X 1/4	167216	1
15	VALVE, 3/8 ANGLE NEEDLE	167234	1
16	HANDLE, UP/DOWN CONTROL	167235	1
17	PLATE, UP/DOWN ADJ	167236	1
18	ARM, DEPTH CONTROL ADJ 70184602130	167237	1
19	WASHER, 5/16 FLANGED PLASTIC	167238	2
20	FITTING, 3/8 MNPT X 1/4 BARB, BRASS	167239	1
21	FITTING, 3/8 NPT X 3/8 JIC	167240	1
22	SPRING, EXT, .300D X .037WD X 3/4L	167241	1

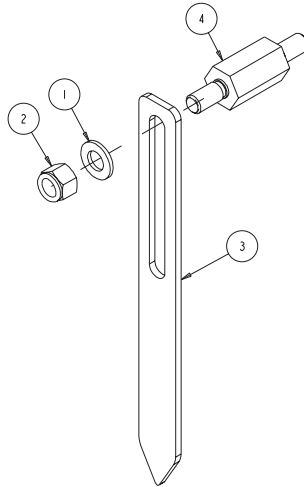
**FIGURE 20 - PARTS LIST: ASSY, WATER VALVE P/N 164161**

ITEM NO.	DESCRIPTION	PART #	QTY. REQ.
1	ELBOW, 1/2 MNPT 90 STREET, GALV	1	150848
2	FITTING, 1/2 MNPT X 3/8 BARB	2	153653
3	VALVE, BALL 1/2"	1	153796
4	SCREW, PAN HD PHIL 10-24 X 5/16	2	159494
5	BRACKET, WATER VALVE	1	162650

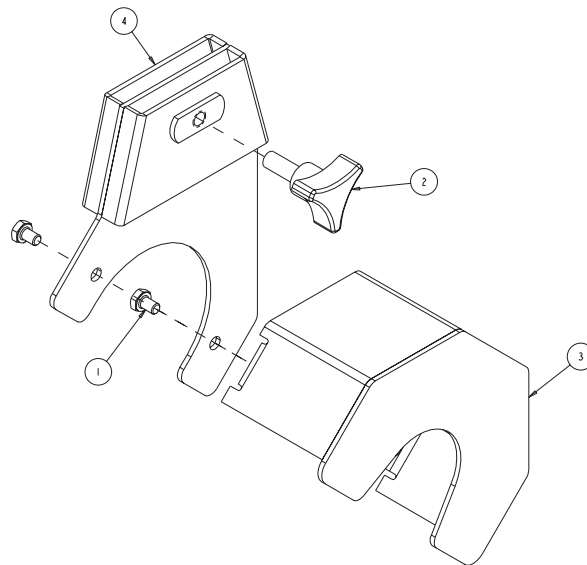
FIGURE 21 - PARTS LIST: ASSY, POINTER, FRONT P/N 169111-NRT



ITEM NO.	DESCRIPTION	PART #	QTY. REQ.
1	NUT, 3/8-16 HEX	101188	2
2	NUT, 3/8-16 NYLOK HEX	152505	1
3	SCREW, HEX HD CAP, 3/8 - 16 X 1	152507	1
4	POINTER	155057	1
5	WHEEL, POINTER, 3"	155066	1
6	BUSHING, 3/8 ID X 1-5/8L	155153	1
7	SCREW, 3/8-16 X 2-1/2 HEX HEAD CAP	156030	1
8	KNOB, 3 PRONG 3/8-16 X 1	156175	2
9	WASHER, FENDER, 3/8 ID X 1 - 1/2 OD	163269	2
10	POINTER ARM, UPPER	160938	1
11	POINTER ARM, LOWER	169113	1
12	KNOB, 4 PRONG 3/8 16 X 2 <b>70184602015</b>	169114	2

**FIGURE 22 - PARTS LIST: ASSY, REAR POINTER P/N 163824**

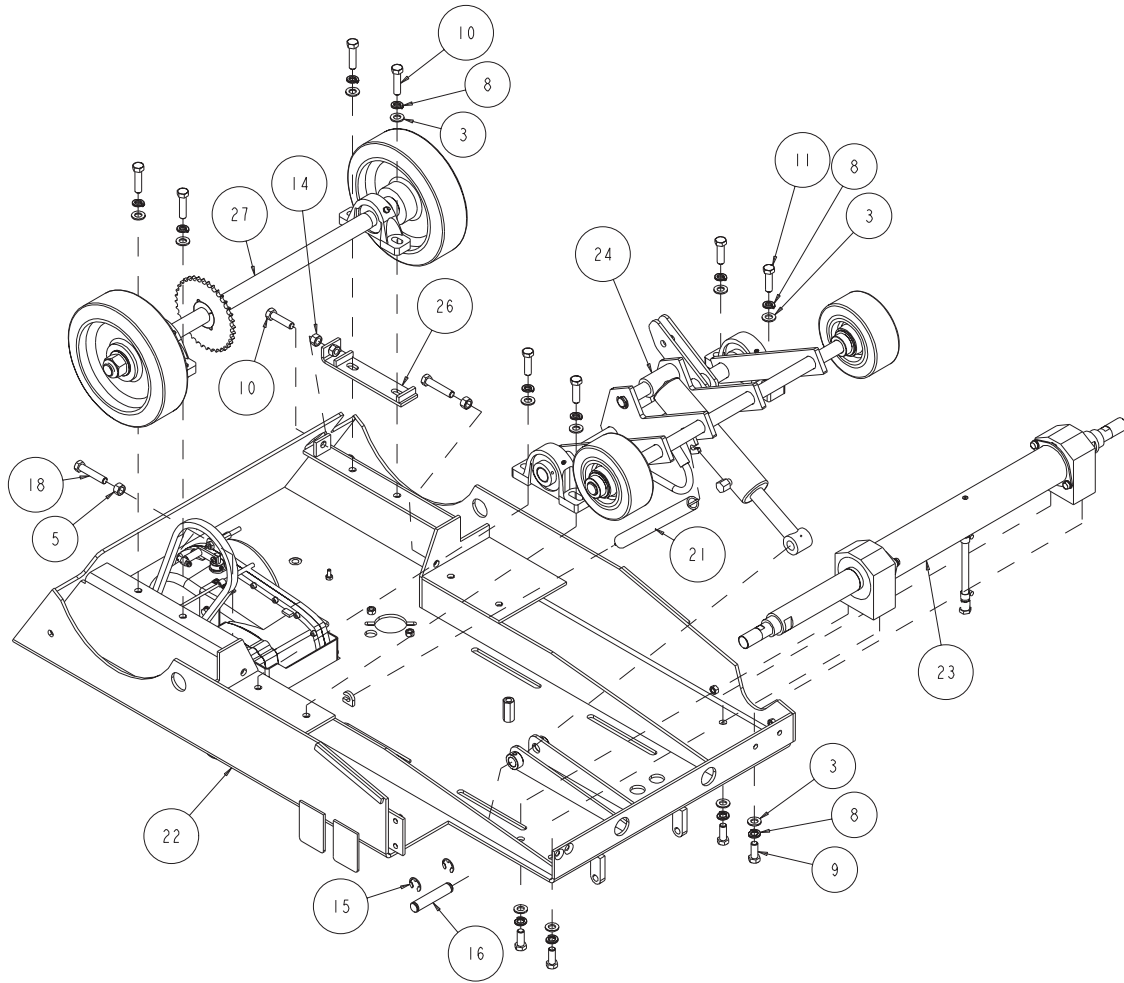
ITEM NO.	DESCRIPTION	PART #	QTY. REQ.
1	WASHER, 1/2 SAE FLAT	150924	1
2	NUT, 1/2 - 13 NYLOK HEX	155162	1
3	ARM, REAR POINTER	160951	1
4	STANDOFF, REAR POINTER	163825	1

**FIGURE 23 - PARTS LIST: ASSY, SHAFT GUARD P/N 166056**

ITEM NO.	DESCRIPTION	PART #	QTY. REQ.
1	SCREW, HEX HD 1/4 - 20 X 3/8	153526	2
2	KNOB, 3 PRONG 3/8 - 16 X 1	156175	1
3	GUARD, SHAFT	161109	1
4	BACK PLATE, SHAFT GUARD	166057	1

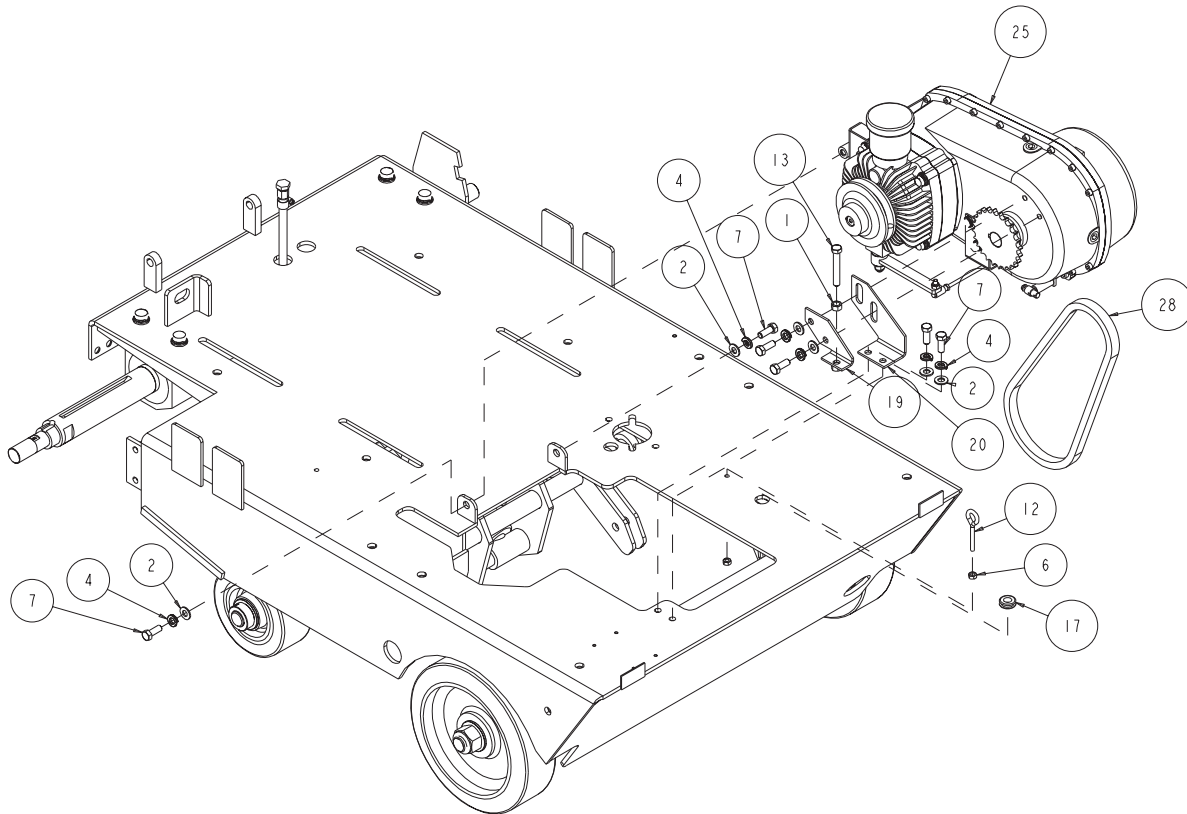


FIGURE 24 - PARTS LIST: ASSY, FRAME SUB P/N 165160



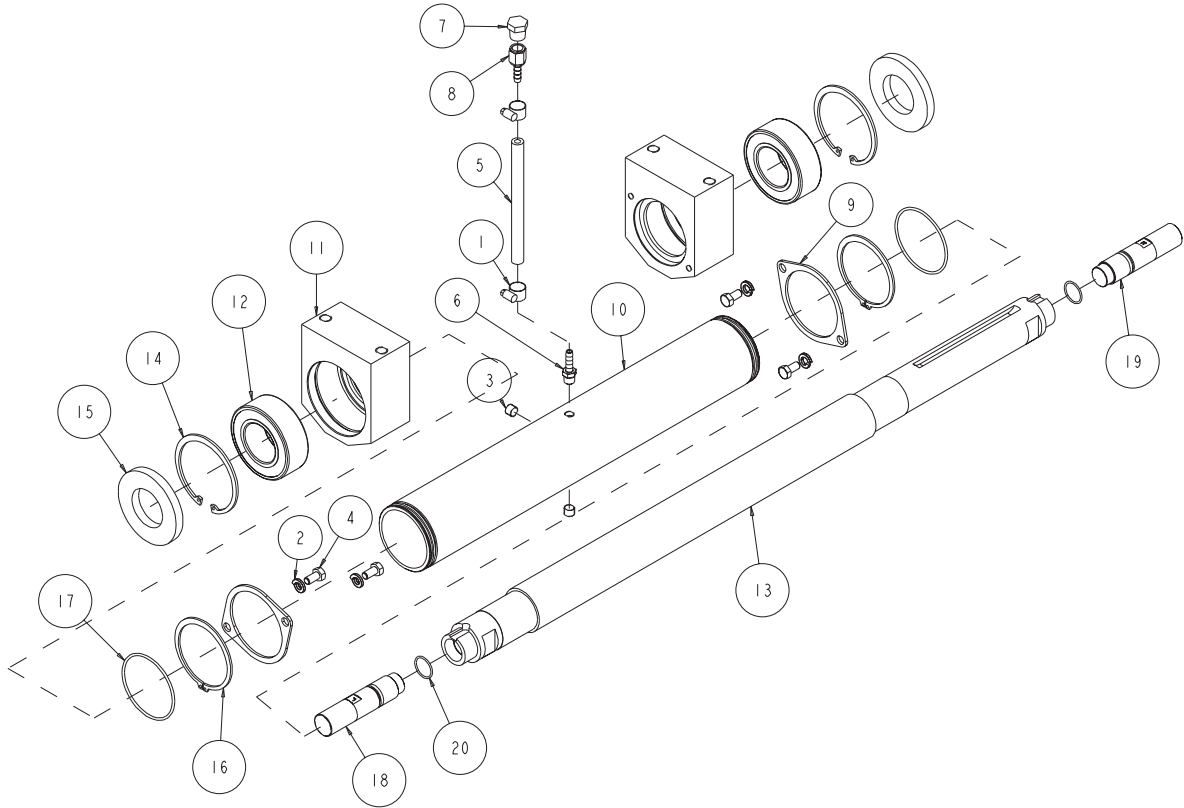
ITEM NO.	DESCRIPTION	PART #	QTY. REQ.
1	NUT, HEX, 3/8 - 16	101188	1
2	WASHER, FLAT, SAE, 3/8	150923	6
3	WASHER, 1/2 SAE FLAT	150924	12
4	WASHER, LOCK, SPLIT, 3/8	150893	6
5	NUT, 1/2 - 13 HEX	151282	2
6	NUT, HEX, 1/4 - 20	151893	2
7	SCREW, HEX HD CAP, 3/8 - 16 X 1	152507	6
8	WASHER, 1/2 SPLIT LOCK	153524	12
9	SCREW, 1/2 - 13 X 1 - 1/4 HEX HEAD CAP	153532	4
10	SCREW, HEX HD 1/2 - 13 X 2	153533	5
11	SCREW, 1/2 - 13 X 1 - 3/4 HEX HEAD CAP	153832	4
12	EYEBOLT, 1/4 - 20 X 2	153887	1
13	BOLT, 3/8 - 16 X 2 - 1/2 HEX HEAD CAP	155589	1
14	NUT, 1/2 - 13 CENTERBLOCK HEX	156279	1

FIGURE 24 - PARTS LIST: ASSY, FRAME SUB P/N 165160



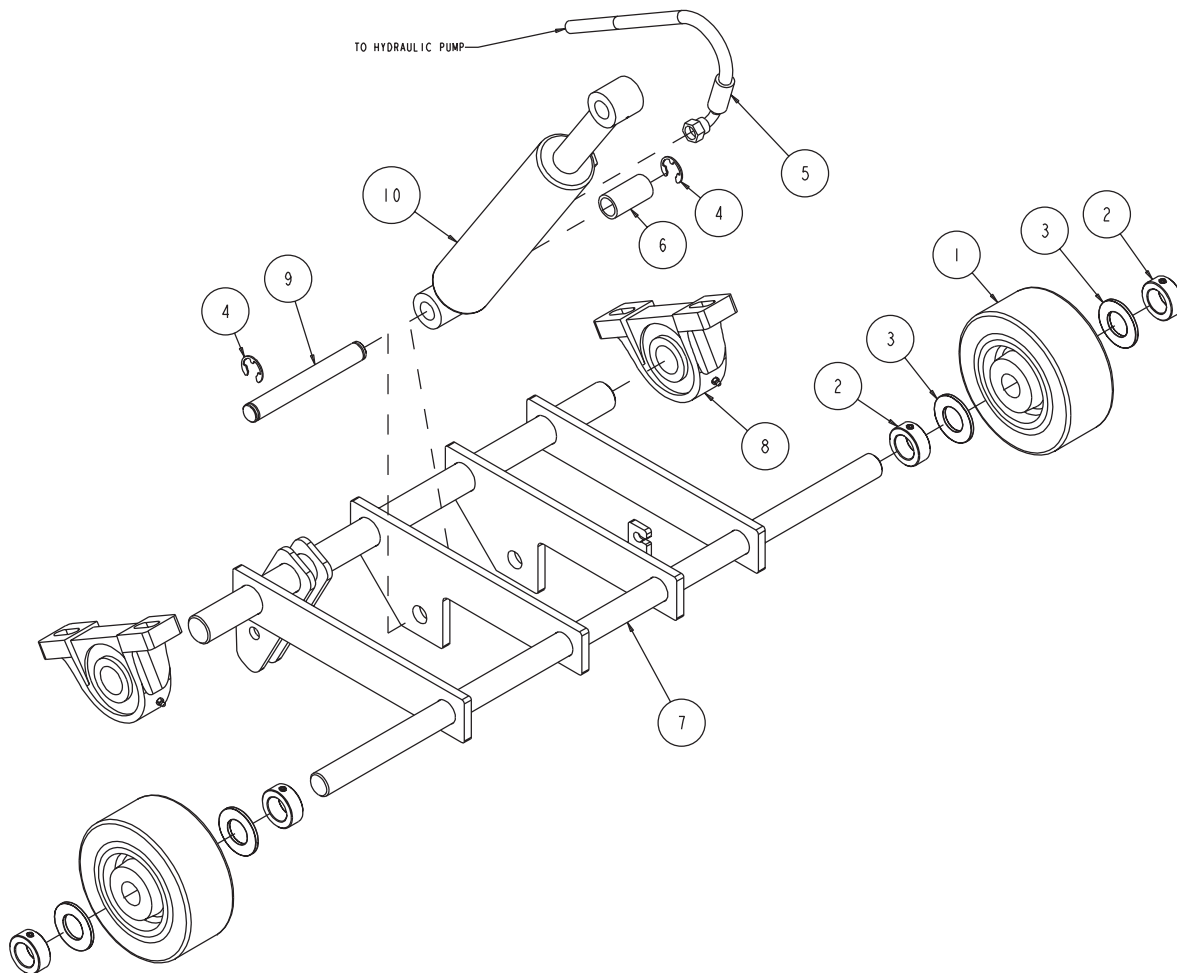
ITEM NO.	DESCRIPTION	PART #	QTY. REQ.
15	RING, .75 E - STYLE RETAINING	161163	2
16	PIN, Ø3/4 X 3 - 1/2 CLEVIS 70184694555	161164	1
17	GROMMET, 1/2 X 1.0	162493	1
18	BOLT, 1/2 - 13 X 2.0 HEX HEAD TAP	162598	2
19	BRACKET, TRANS LIFT, ADJ	162743	1
20	BRACKET, TRANS MOUNT FIXED	162744	1
21	SPRING, 1.0 X 7.0 X .135 EXTENTION	162830	1
22	FRAME, MAIN	165159	1
23	ASSY, BLADE SHAFT, 45MM	165583	1
24	ASSY, TRUCK	165592	1
25	ASSY, TRANSMISSION	166338	1
26	PLATE, REAR AXLE ALIGN	168293	1
27	ASSY, REAR AXLE	168581	1
28	CHAIN, ROLLER, #40 X 34" +C/L	168585	1

FIGURE 25 - PARTS LIST: ASSY, BLADE SHAFT P/N 165583



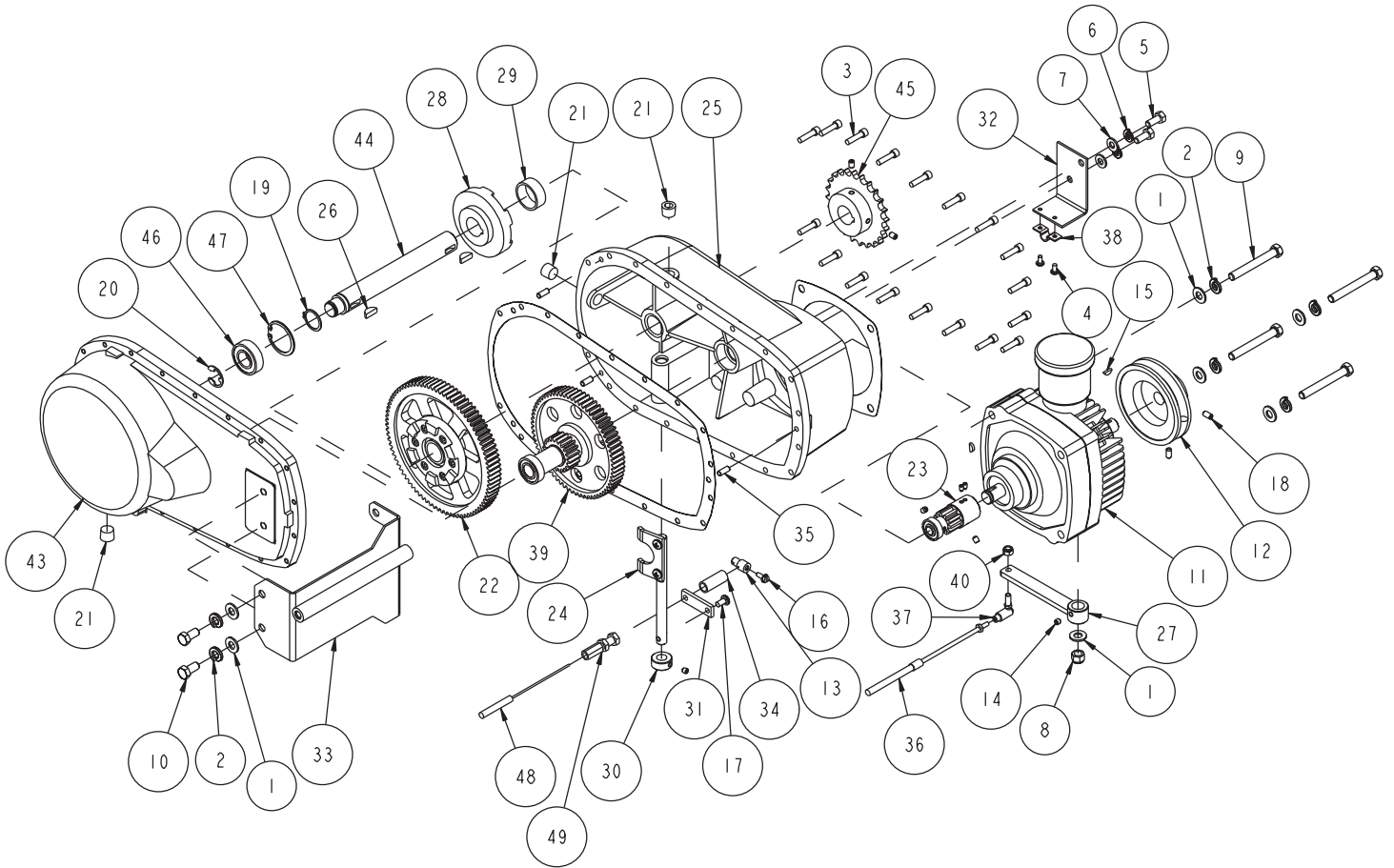
ITEM NO.	DESCRIPTION	PART #	QTY. REQ.
1	CLAMP, 5/8 HOSE	151198	2
2	WASHER, 5/16 SPLIT LOCK	151747	4
3	PLUG, 1/8NPT HEX SOCKET	152472	2
4	SCREW, 5/16-18 X 5/8 HEX HEAD CAP	153949	4
5	HOSE, 1/4 FUEL	154163	1
6	FITTING, 1/8 MNPT X 1/4 BARB	155809	1
7	PLUG, 3/8NPT BRONZE BREATHER	161209	1
8	FITTING, 1/4 FNPT X 1/4 BARB	162601	1
9	FLANGE, BLADESHAFT TUBE	165456	2
10	TUBE, 45MM BLADE SHAFT	165584	1
11	BLOCK, 85mMM BEARING	165586	2
12	BEARING, 45 X 85 X 30.2, D-ROW BALL	165587	2
13	SHAFT, 45MM X 85MM OIL	165588	1
14	RING, 85MM INTERNAL RETAINING	165589	1
15	SEAL, 45MM X 85MM OIL	165590	2
16	RING, RETAINING, 3 EXTERNAL	165591	2
17	O-RING, 3/32 X 30D	168586	2
18	STUD, BLADESHAFT, LH THREAD	168587	1
19	STUD, BLADESHAFT, RH THREAD	168588	1
20	O-RING, 1/16 X 1.0 OD, #020	168589	2

FIGURE 26 - PARTS LIST: ASSY, TRUCK, FRT PIVOT P/N 165592



ITEM NO.	DESCRIPTION	PART #	QTY. REQ.
1	WHEEL, 6 X 2 - 1/2 X 1	160848	2
2	COLLAR, 1.0 SHAFT	160849	4
3	WASHER, 1 SAE FLAT	160851	4
4	RING, .75 E-STYLE RETAINING	161163	2
5	HOSE, 1/4NPT X 9/16JIC90 HYD	162600	1
6	SPACER, 1.0 X .75 X 1.94	164046	1
7	TRUCK WELDMENT	165287	1
8	BEARING, 1 - 3/16 ID PILLOW BLOCK	165593	2
9	PIN, Ø3/4 X 5 CLEVIS	165594	1
10	CYLINDER, 6" HYDRAULIC	165595	1

FIGURE 27 - PARTS LIST: ASSY, TRANSMISSION P/N 166338



ITEM NO.	DESCRIPTION	PART #	QTY. REQ.
1	WASHER, 3/8 SAE FLAT	150923	7
2	WASHER, 3/8 SPLIT LOCK	150925	6
3	SCREW, SOC HD CAP, 1/4-20 X 1	151049	18
4	SCREW, 10-24 X 3/8 PAN HEAD PHILLIPS MACHINE	151097	2
5	SCREW, HEX HD, CAP, 5/16 - 18 X 3/4	151369	2
6	WASHER, 5/16 SPLIT LOCK	151747	2
7	WASHER, FLAT SAE, 5/16	151754	2
8	NUT, 3/8 - 16 NYLOK HEX	152505	1
9	SCREW, 3/8 - 16 HEX HEAD CAP	153113	4
10	SCREW, HEX, 3/8 - 16 X 3/4	153527	2
11	PUMP, TRANSMISSION	153783	1
12	PULLEY, A4.0 X 17MM BORE OFFSET	153826	1
13	PIN, WIRE STOP	153842	1
14	SCREW, SET CNE PT 1/4 - 20 X 1/4	153864	1
15	KEY, WOODRUFF, 1/8 X 1/2	153865	2
16	SCREW, HEX HD FL 10 - 24X 5/16	154172	1
17	SCREW, PAN HD, CAP, 1/4 - 20 X 1/2	155452	1
18	SCREW, 1/4 - 20 X 1/2 SOCKET HEAD SET	155804	2
19	RING, 1" EXTERNAL RETAINING	166140	1

FIGURE 28 - PARTS LIST: ASSY, TRANSMISSION P/N 166338

ITEM NO.	DESCRIPTION	PART #	QTY. REQ.
20	RING, .75 E-STYLE RETAINING	161163	1
21	PLUG, 3/8NPT HEX SOCKET, GLAV	161208	3
22	ASSY, ENGAGEMENT GEAR	161233	1
23	ASSY, PUMP PINION	161235	1
24	ASSY, TRANS FORK 1	161237	1
25	ASSY, TRANS CASE 1	161248	1
26	KEY, WOODRUFF, 1/4 X 3/4	161261	2
27	LEVER, TRANS CONTROL	161263	1
28	PLATE, LOCKER, KEYED	161264	1
29	SPRING, 1.50D X 1.3 COMPRESSION	161279	1
30	COLLAR, SHAFT, 1/2	162633	1
31	LEVER, TRANS FORK 70184602828	162673	1
32	BRACKET, TRANS FNR	162735	1
33	BRACKET, TRANS PIVOT	162741	1
34	SPRING, .56 X 1.38 COMPRESSION	162829	2
35	PIN, 1/4 X 5/8 DOWEL	162849	3
36	CABLE, TRANS CONTROL NEUTRAL	162858	1
37	BALL JOINT, 30 SERIES	162859	1
38	CLAMP, 30 SERIES CONDUIT	162860	1
39	ASSY, CHANGE GEAR	162883	1
40	NUT, HEX, NYLK, 1/4 - 28	163936	1
41	OIL, 80 - 90 SAE GEAR	164971	1
42	SEALANT, HI-TEMP FORM-A-GASKET	164972	1
43	CASING, TRANS CASE3 (COMP)	166340	1
44	SHAFT, AXLE, #3	166341	1
45	SPROCKET, 40BS24 X 1.0 BORE	166342	1
46	BEARING, BALL, 20 X 42 X 12MM	166343	1
47	RING, 1 - 11/16 INTERNAL RETAINING	166344	1
48	CABLE, T2L CONTROL, 33", - COMP	168373	1
49	FITTING, THROTTLE CABLE END	169042	1
50	GASKET SET, TRANSMISSION	169465	1
51	SEALAND, GASKET, PT#2 (0.5 OZ)	169466	1

FIGURE 29 - PARTS LIST: ASSY, 20" BLADE GUARD P/N 168279-20

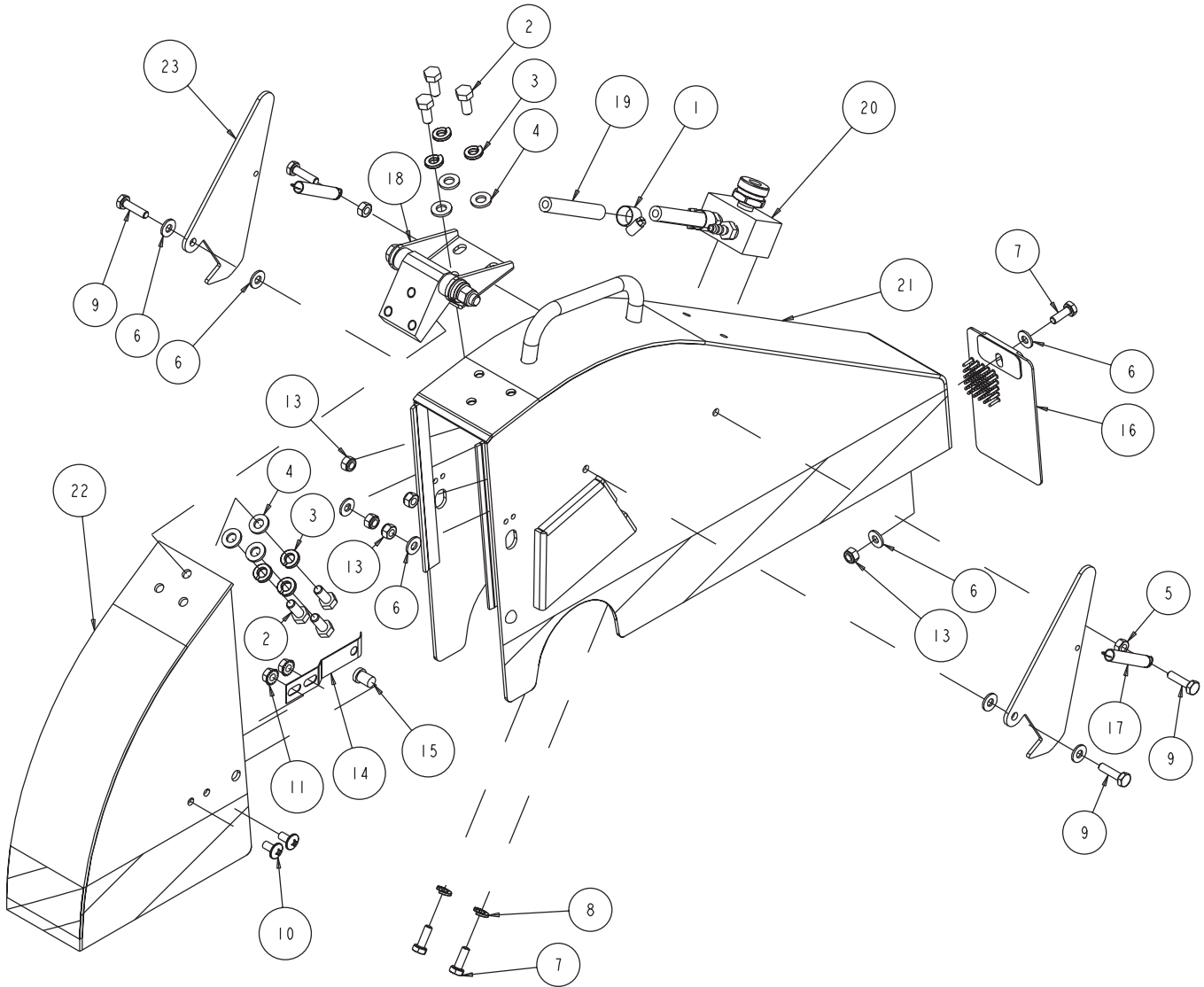




FIGURE 29 - PARTS LIST: ASSY, 20" BLADE GUARD P/N 168279-20

ITEM NO.	DESCRIPTION	PART #	QTY. REQ.
1	CLAMP, 5/8 HOSE	151198	2
2	SCREW, 5/16-18 X 3/4 HEX HEAD MACHINE	151369	6
3	WASHER, LOCK, SPLIT, 5/16	151747	6
4	WASHER, 5/16 SAE FLAT	151754	6
5	NUT, 1/4-20 HEX	151893	2
6	WASHER, 1/4 SAE FLAT	151915	8
7	SCREW, 1/4-20 X 3/4 HEX HEAD MACHINE	152370	3
8	WASHER, 1/4 SPLIT LOCK	152591	2
9	SCREW, HEX HD CAP, 1/4-20 X 1	152676	4
10	SCREW, 1/4-20 X 1/2 TRUSS HEAD	153880	2
11	NUT, HEX W/WSHR, 1/4-20	153941	2
12	TIE, NYLON CABLE, 1/8 X 4, BLACK	158528	4
13	NUT, 1/4-20 NYLOK	159857	5
14	LOCK, BLADE GUARD	159998	1
15	BUTTON, RELEASE <b>227265</b>	159999	1
16	GUARD, SPLASH	160310-NL	1
17	SPRING, EXTENSION	160875	2
18	ASSY, HINGE	163979	1
19	HOSE, VINYL, 1/4 X 1/2 (24"L)	167620	2
20	ASSY, WATER MANIFOLD, 2T	167624	1
21	GUARD, 20" FRONT BLADE	168277-20	1
22	GUARD, 20" REAR BLADE	168278-20	1
23	LATCH, 20" BLADE GUARD	168528	2

FIGURE 30 - PARTS LIST: ASSY, 26" BLADE GUARD P/N 168279-26

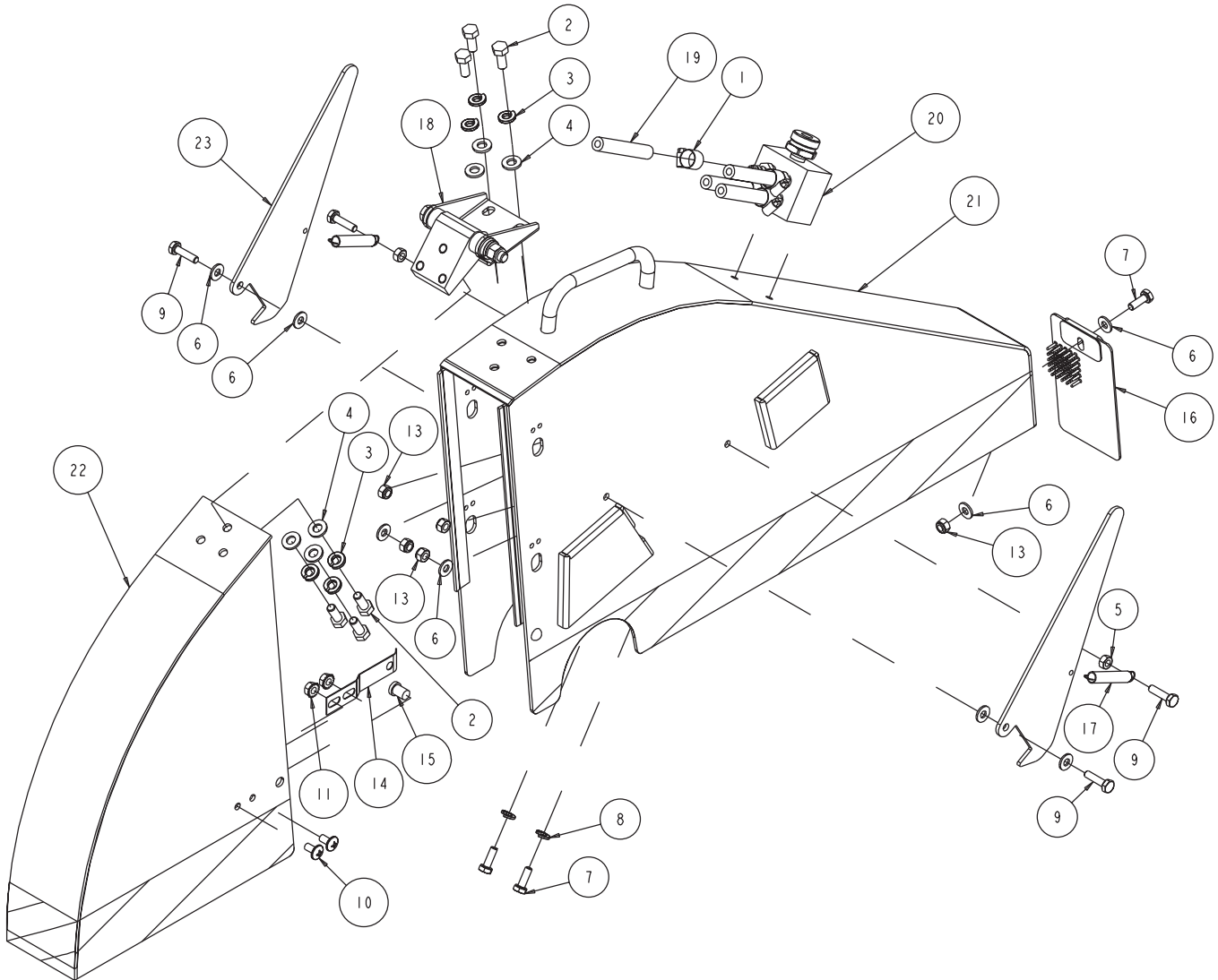


FIGURE 30 - PARTS LIST: ASSY, 26" BLADE GUARD P/N 168279-26

ITEM NO.	DESCRIPTION	PART #	QTY. REQ.
1	CLAMP, 5/8 HOSE	151198	2
2	SCREW, 5/16-18 X 3/4 HEX HEAD MACHINE	151369	6
3	WASHER, LOCK, SPLIT, 5/16	151747	6
4	WASHER, 5/16 SAE FLAT	151754	6
5	NUT, 1/4-20 HEX	151893	2
6	WASHER, 1/4 SAE FLAT	151915	8
7	SCREW, 1/4-20 X 3/4 HEX HEAD MACHINE	152370	3
8	WASHER, 1/4 SPLIT LOCK	152591	2
9	SCREW, HEX HD CAP, 1/4-20 X 1	152676	4
10	SCREW, 1/4-20 X 1/2 TRUSS HEAD	153880	2
11	NUT, HEX W/WSHR, 1/4-20	153941	2
12	TIE, NYLON CABLE, 1/8 X 4, BLACK	158528	4
13	NUT, 1/4-20 NYLON	159857	5
14	LOCK, BLADE GUARD	159998	1
15	BUTTON, RELEASE <b>227265</b>	159999	1
16	GUARD, SPLASH	160310-NL	1
17	SPRING, EXTENSION	160875	2
18	ASSY, HINGE	163979	1
19	HOSE, VINYL, 1/4 X 1/2 (24"L)	167620	4
20	ASSY, WATER MANIFOLD, 4T	167625	1
21	GUARD, 26" FRONT BLADE	168277-26	1
22	GUARD, 26" REAR BLADE	168278-26	1
23	LATCH, 26" BLADE GUARD	168280	2

FIGURE 31 - PARTS LIST: ASSY, 30" BLADE GUARD P/N 168279-30

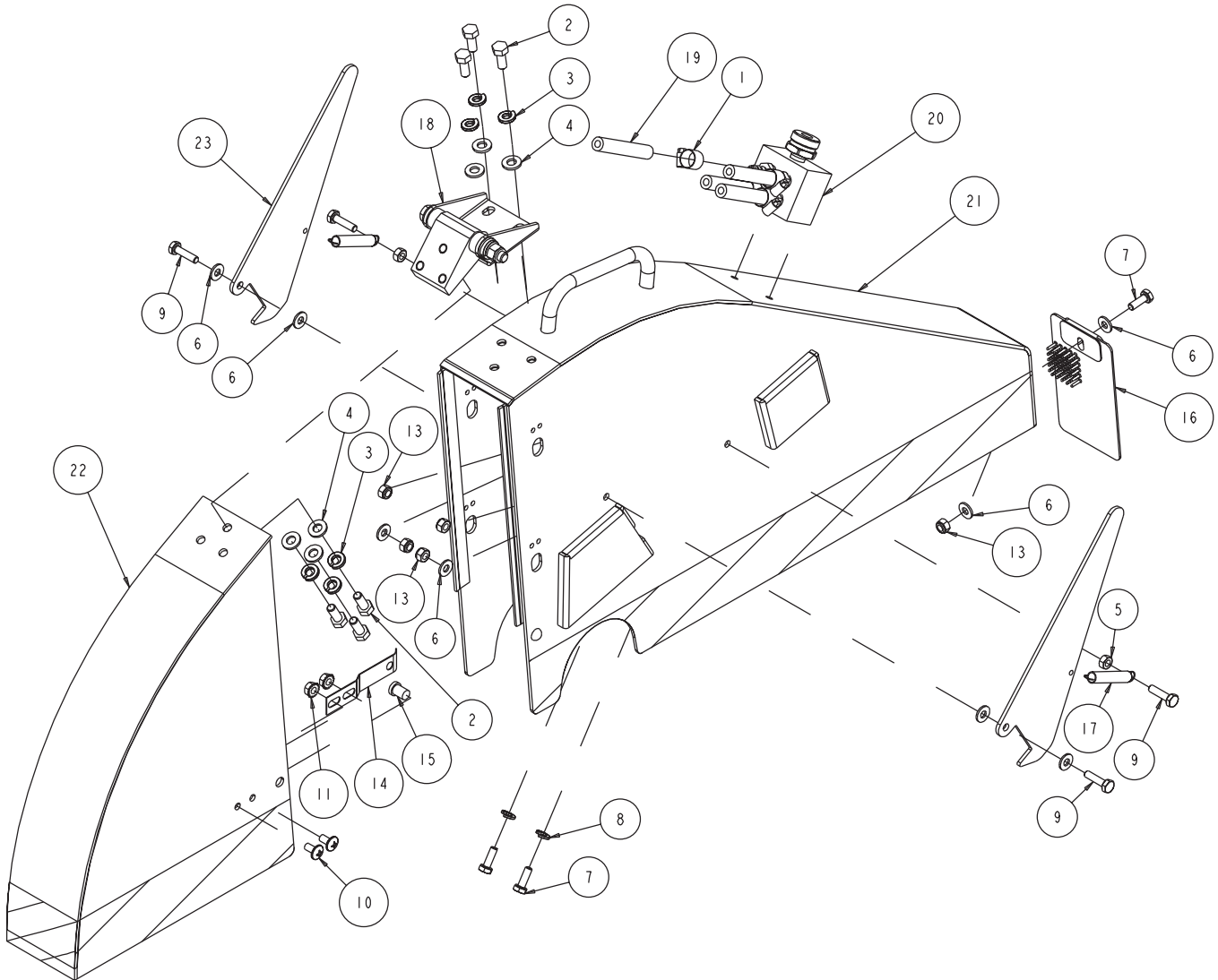
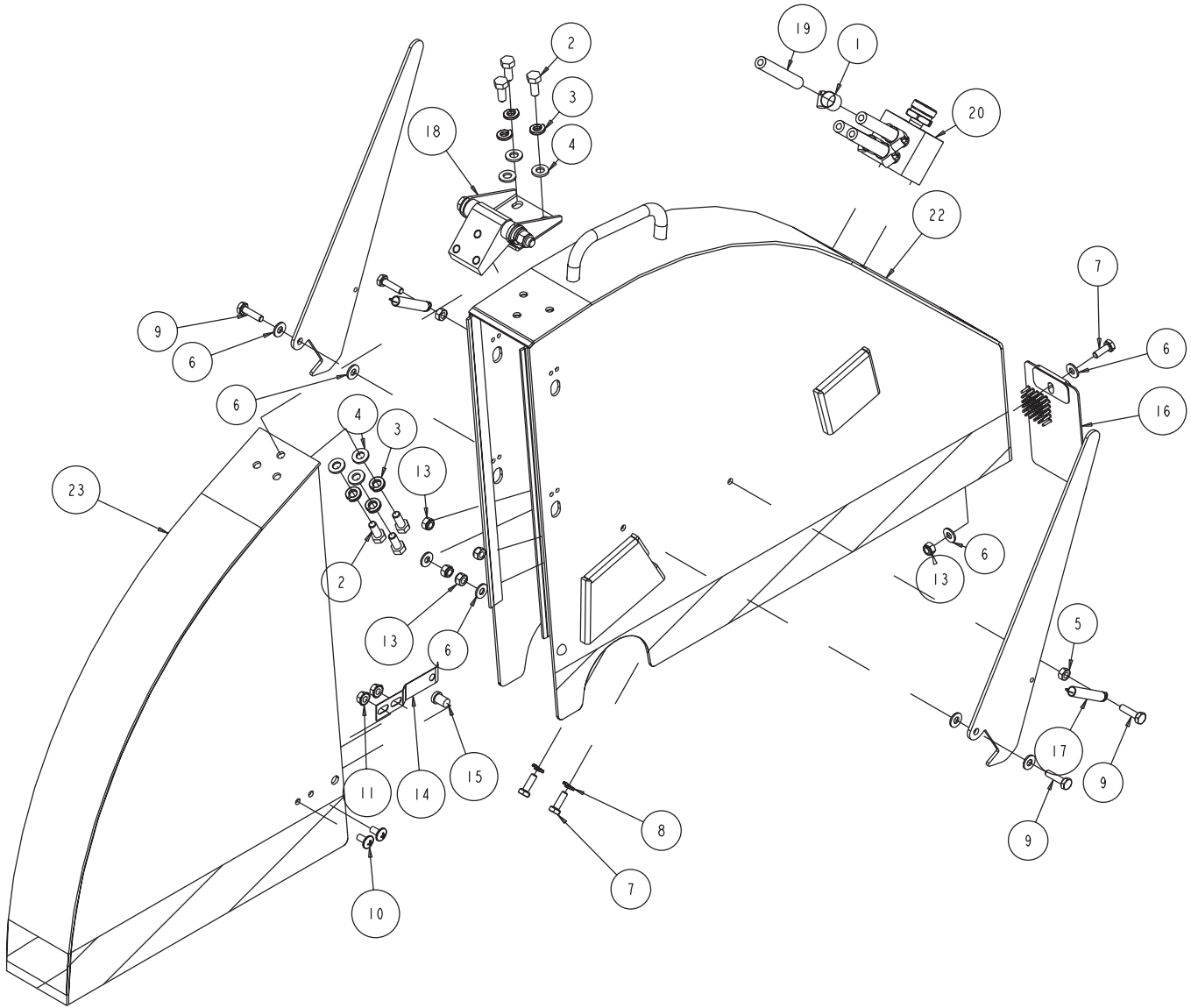


FIGURE 31 - PARTS LIST: ASSY, 30" BLADE GUARD P/N 168279-30

ITEM NO.	DESCRIPTION	PART #	QTY. REQ.
1	CLAMP, 5/8 HOSE	151198	2
2	SCREW, 5/16-18 X 3/4 HEX HEAD MACHINE	151369	6
3	WASHER, LOCK, SPLIT, 5/16	151747	6
4	WASHER, 5/16 SAE FLAT	151754	6
5	NUT, 1/4-20 HEX	151893	2
6	WASHER, 1/4 SAE FLAT	151915	8
7	SCREW, 1/4-20 X 3/4 HEX HEAD MACHINE	152370	3
8	WASHER, 1/4 SPLIT LOCK	152591	2
9	SCREW, HEX HD CAP, 1/4-20 X 1	152676	4
10	SCREW, 1/4-20 X 1/2 TRUSS HEAD	153880	2
11	NUT, HEX W/WSHR, 1/4-20	153941	2
12	TIE, NYLON CABLE, 1/8 X 4, BLACK	158528	4
13	NUT, 1/4-20 NYLOK	159857	5
14	LOCK, BLADE GUARD	159998	1
15	BUTTON, RELEASE <b>227265</b>	159999	1
16	GUARD, SPLASH	160310-NL	1
17	SPRING, EXTENSION	160875	2
18	ASSY, HINGE	163979	1
19	LATCH, 30" BLADE GUARD	165874	2
20	HOSE, VINYL, 1/4 X 1/2 (24"L)	167620	4
21	ASSY, WATER MANIFOLD, 4T	167625	1
22	GUARD, 30" FRONT BLADE	168277-30	1
23	GUARD, 30" REAR BLADE	168278-30	1

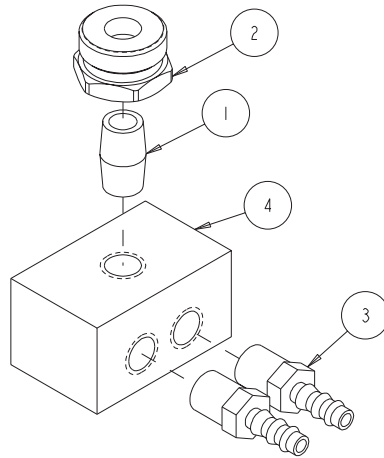
FIGURE 32 - PARTS LIST: ASSY, 36" BLADE GUARD P/N 168279-36



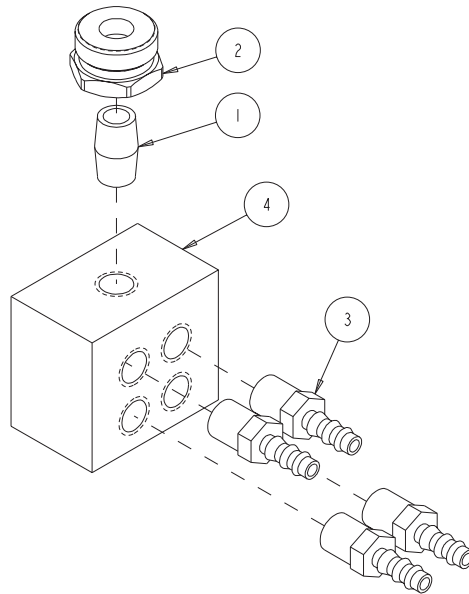
**FIGURE 32- PARTS LIST: ASSY, 36" BLADE GUARD P/N 168279-36**

ITEM NO.	DESCRIPTION	PART #	QTY. REQ.
1	CLAMP, 5/8 HOSE	151198	2
2	SCREW, 5/16-18 X 3/4 HEX HEAD MACHINE	151369	6
3	WASHER, LOCK, SPLIT, 5/16	151747	6
4	WASHER, 5/16 SAE FLAT	151754	6
5	NUT, 1/4-20 HEX	151893	2
6	WASHER, 1/4 SAE FLAT	151915	8
7	SCREW, 1/4-20 X 3/4 HEX HEAD MACHINE	152370	3
8	WASHER, 1/4 SPLIT LOCK	152591	2
9	SCREW, HEX HD CAP, 1/4-20 X 1	152676	4
10	SCREW, 1/4-20 X 1/2 TRUSS HEAD	153880	2
11	NUT, HEX W/WSHR, 1/4-20	153941	2
12	TIE, NYLON CABLE, 1/8 X 4, BLACK	158528	4
13	NUT, 1/4-20 NYLOK	159857	5
14	LOCK, BLADE GUARD	159998	1
15	BUTTON, RELEASE <b>227265</b>	159999	1
16	GUARD, SPLASH	160310-NL	1
17	SPRING, EXTENSION	160875	2
18	ASSY, HINGE	163979	1
19	HOSE, VINYL, 1/4 X 1/2 (24"L)	167620	4
20	ASSY, WATER MANIFOLD, 4T	167625	1
21	LATCH, 36" BLADE GUARD	167658	2
22	GUARD, 36" FRONT BLADE	168277-36	1
23	GUARD, 36" REAR BLADE	168278-36	1



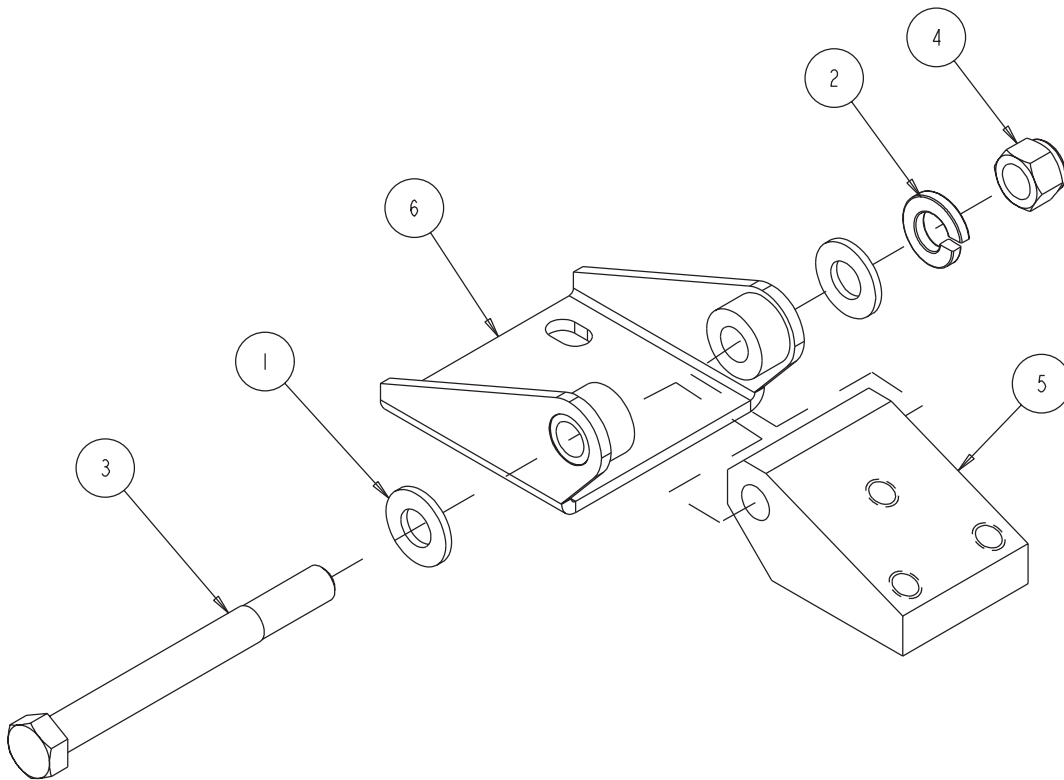
**FIGURE 33 - PARTS LIST: ASSY, WATER MANIFOLD, 2T P/N 167624**

ITEM NO.	DESCRIPTION	PART #	QTY. REQ.
1	NIPPLE, 1/4 NPT X CLOSE, BRASS	159905	1
2	FITTING, 3/4 X 11.5 MNH X 1/4 FNPT	163992	1
3	FITTING, PUSH ON HOSE 1/4 X 1/4 MALE	165183	2
4	MANIFOLD, WATER, 2 TUBE	167622	1

**FIGURE 34 - PARTS LIST: ASSY, WATER MANIFOLD, 4T P/N 167625**

ITEM NO.	DESCRIPTION	PART #	QTY. REQ.
1	NIPPLE, 1/4 NPT X CLOSE, BRASS	159905	1
2	FITTING, 3/4 X 11.5 MNH X 1/4 FNPT	163992	1
3	FITTING, PUSH ON HOSE 1/4 X 1/4 MALE	165183	4
4	MANIFOLD, WATER, 4 TUBE	167623	1

FIGURE 35 - PARTS LIST: ASSY, HINGE P/N 163979



ITEM NO.	DESCRIPTION	PART #	QTY. REQ.
1	WASHER, 3/8 SAE FLAT	150923	2
2	WASHER, 3/8 SAE LOCK	150925	1
3	SCREW, 38 - 16 X 3-3/4 HEX HD CAP	152504	1
4	NUT, 3/8 - 16 X 3 NYLOK HEX	152505	1
5	PLATE, FRONT HINGE	163977	1
6	PLATE, REAR HINGE	163978	1