

OWNER'S MANUAL

BLOCKBUSTER MASONRY SAW

BBL 345

BBL 325

BBL 545

BBL 525

CONVEYOR CART

83777

V BELTS (2) 14"
216663

V BELTS (2) 20"
216662

NortonParts.com

888-634-4289

An iBuy Stores Company

WATER PUMP ELECTRIC

214169 OR 210437



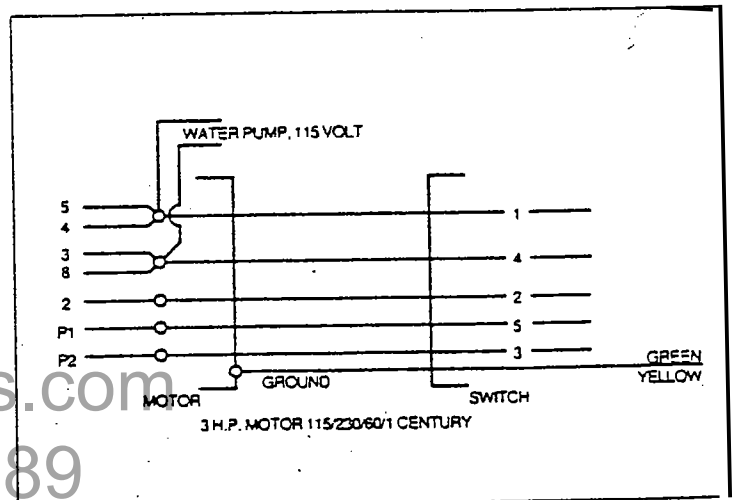
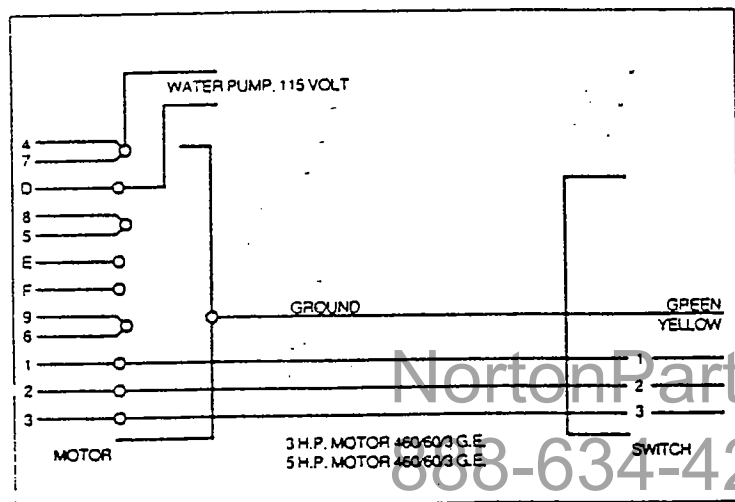
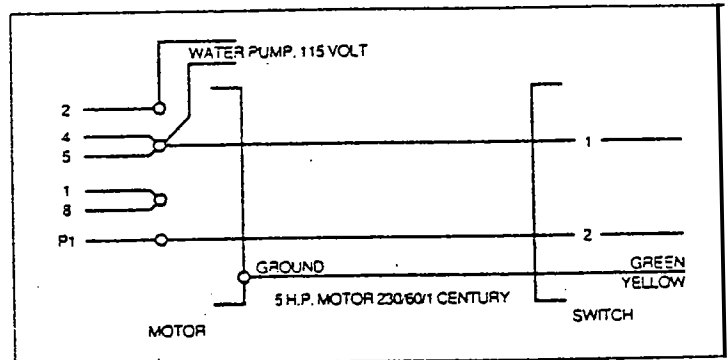
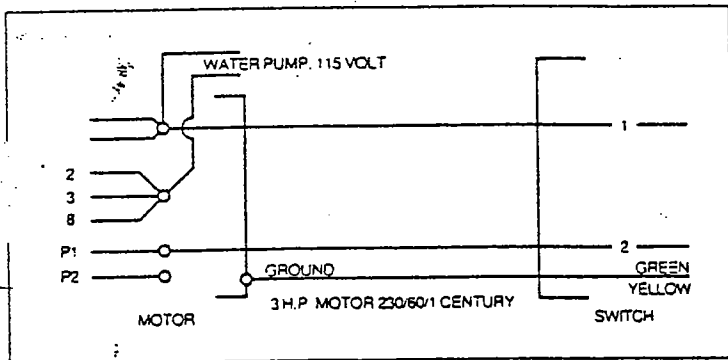
CONSTRUCTION PRODUCTS

I. PREPARATION

3. GROUND CONNECTION

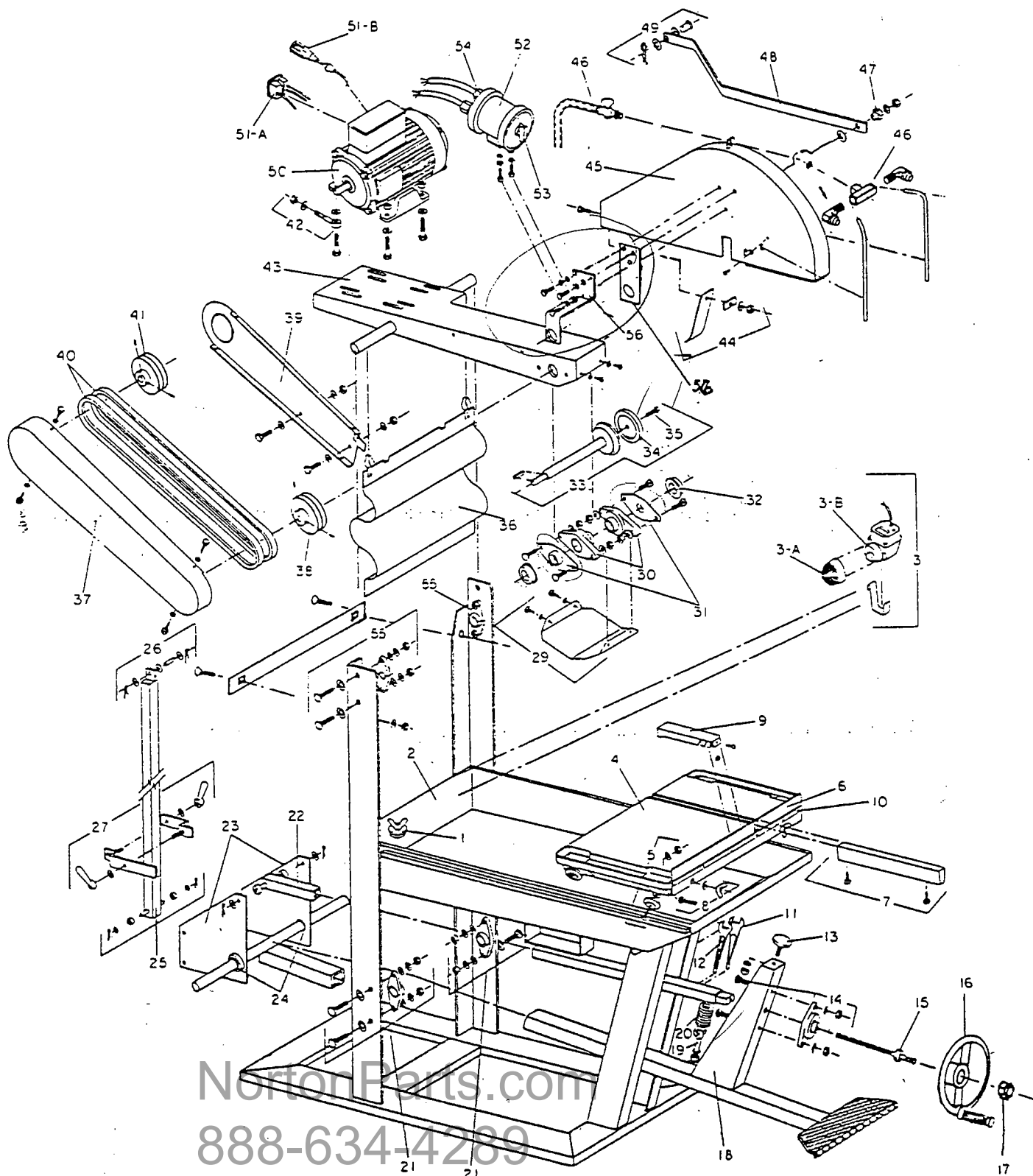
Important: Be sure to ground saw properly before operating, such as ground wire connection provided by the power company.

C. Wiring Diagram



An iBuy Stores Company

ASSEMBLY DRAWING FOR BBL 325-345



OVERLOAD SWITCH (RED RESET
BUTTON)

SEE PARTS LIST 2ND PAGE

Buy Stores Company



IV. PARTS LIST SECTION

BBL 325/345 ELECTRIC MODELS

NO.	DESCRIPTION	PART NO.	NO.	DESCRIPTION	PART NO.
1.	Drain Plug	213622	21.	Pivot Bearing Kit,Frame	218043
2.	Frame Weldment	218001C	22.	Adjustment Bar Kit	218044 **
3.	Water Pump Assembly	OR 210437	23.	Pivot Plates	218013
	Screen	155775	24.	Bearing Plate	218036
	Hood	101375	25.	Connecting Bar Kit	218045
	Impeller (not shown)	216658	26.	Pin Kit, Connecting Bar	218046
4.	Conveyor Cart Assembly	216286	27.	Depth Stop Kit	76551 218058
		83777	28.	Decal Kit (not shown)	OBS 216665
5.	Sheave Assy,Conveyor (4)	213621	29.	Protection Plate	76111 218049
		75333	30.	Bearing Blade Shaft	218049
6.	Back Stop, Conveyor Cart	216288	31.	Support,BladeShaftBearing	214104C
		83895	32.	Bushings, Bearing Nylon	213631
7.	Wood Strip Kit,Conveyor	216287			73220
8.	Hdwre Kit,Back Stop(2)	216293	33.	BladeShaft Replacement Kit	218050
9.	Guide-A-Cut Assembly	216128			76556
		83892	34.	Loose Collar	73281 218016
10.	Scale Kit (Incl. Rivets)	216291	35.	Screw, Loose Collar	8042096
11.	Wrench, 3/4"	213643	36.	Water Curtian Assembly	214018
12.	Wrench, 7/8"	214124			219038
13.	Stop, Rubber	210051	37.	Belt Guard Assembly	218051
14.	Bearing Kit, Foot Pedal	218041	38.	Pulley, Blade Shaft	76132
15.	Set Collar & Screw	218042	39.	Bracket, Belt Guard	73298 218052
16.	Crank Wheel	123291	40.	V-Belts 14" (Qty. 2)	216663
17.	Brass Nut	109298		V-Belts 20" (Qty, 2)	
18.	Foot Pedal Lever Wldmnt.	218003C	41.	Pulley, Motor 14"	76130
19.	Eye Bolt, Tensioning	73277		Pulley, Motor 20"	76131
20.	Spring	72567 OR 72467			

** 218044 IS REPLACED BY 76549, 72475, 83831

slipper

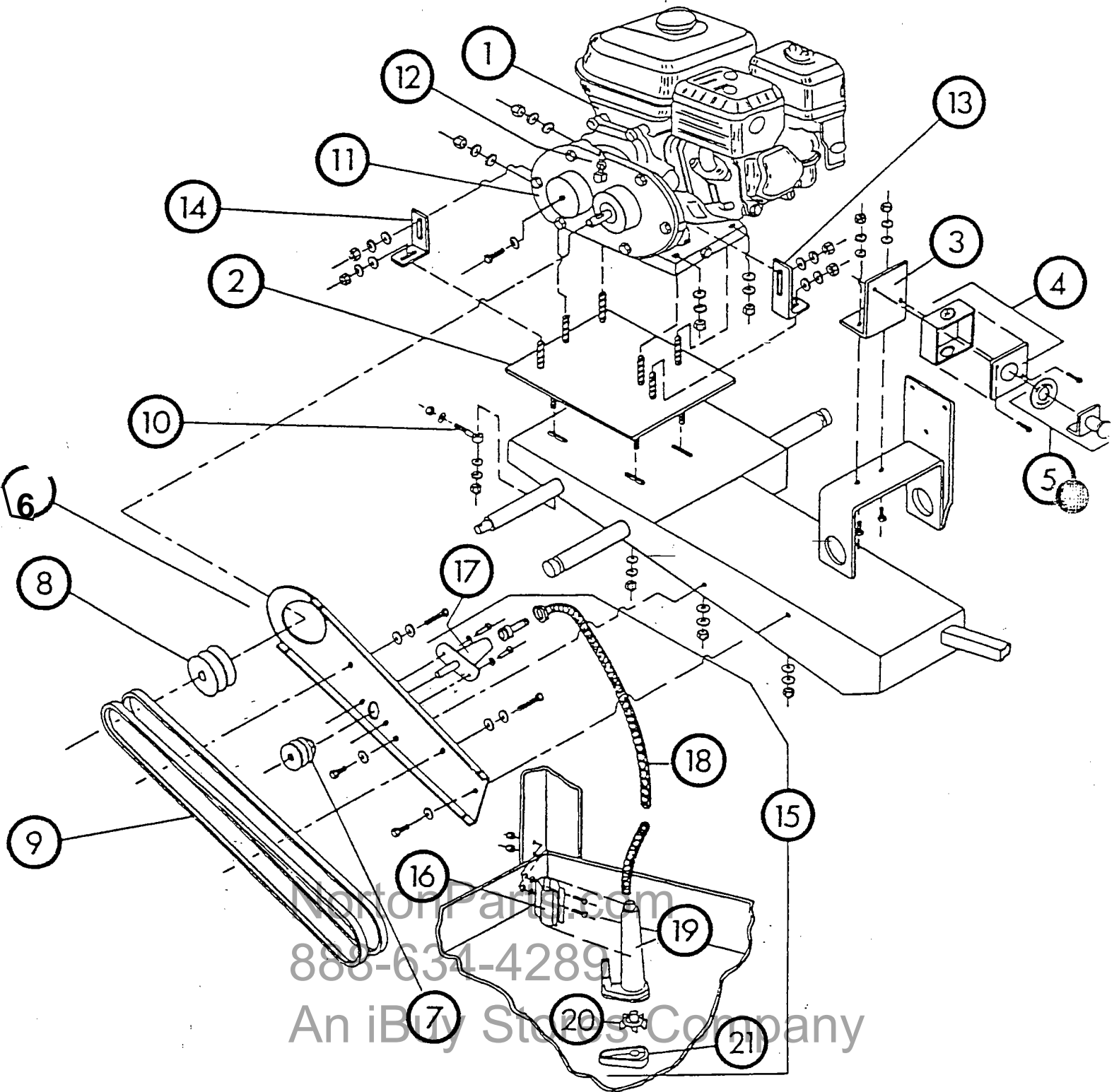
IV. PARTS LIST SECTION

BBL 325/345 ELECTRIC MODELS

NO.	DESCRIPTION	PART NO.	NO.	DESCRIPTION	PART NO.
42.	Eye Bolt Assembly	73277	51.	Receptacle, Water Pump	216579
43.	Cutting Head Weldment	218002C		Pigtail, Water Pump	OBS 212168
44.	Splash Guard Kit	218053	52.	Switch Assembly Dual Volt	218023 219060
45.	Blade Guard 14"	214142C		Switch Assy. On/Off 1 Phase	218024 219059
	Blade Guard 20"	218054C		Switch Assy. On/Off 3 Phase	218025
46.	Water Dist. Assy. 14"	214126	53.	Knob, Switch	213152
	Water Dist. Assy. 20"	218055 76126	54.	Cable Outlet	214023
47.	Cam Kit, Stay Level Arm	214132	55.	Split Bearing Kit (1)	218056
48.	Stay Level Arm	218014	56.	Leveling Support	214143C
49.	Stay Level Arm Pin Kit	214131			
50.	Motor 3HP 1 Phase Century	211036			
	Motor 3HP 3 Phase G.E.	OBS 211049			
	Motor 5HP 1 Phase Century	211038 232088			
	Motor 5HP 3 Phase G.E.	211173 219040			
				THERMAL OVERLOAD SWITCH (RED RESET BUTTON)	
				CAN BE ORDERED FROM ANY LOCAL ELECTRIC MOTOR SERVICE CENTER	
				ORDER A KLIXON BEJ38DB OR EQUAL	
<p>NortonParts.com</p> <p>888-634-4289</p> <p>An iBuy Stores Company</p>					



ASSEMBLY DRAWING FOR BBL GAS



NortonParts.com
888-634-4289
An iBuy Stores Company

IV PARTS LIST SECTION

BBL GAS 545-525

Item No.	Description	Part No.	Item No.	Description	Part No.
1.	5 HP Gas Engine	216264	11.	Speed Reducer Kit	213588
2.	Engine Mounting Plate Kit	216268	12.	Speed Reducer Key	9201115
3.	Stop Switch Bracket Kit	213586	13.	Speed Reducer Bracket, Front	213583
4.	Stop Switch Box Kit	213587	14.	Speed Reducer Bracket, Rear	213584
5.	Stop Switch, Button & Decal	213576	15.	Water Pump, Complete (LG1200)	73279
6.	Belt Guard Bracket	216267	16.	Water Pump Clamp	76097
7.	Water Pump Pulley	213590	17.	Pump Drive End Complete	72297
8.	14" Engine Pulley Kit	213592	18.	Flexible Shaft Complete	72285
	20" Engine Pulley Kit	216269	19.	Pump Body	72284
9.	14" & 20" V-Belts (set of 2)	216263	20.	Pump Impeller	72862
10.	Belt Tension Screw	73277	21.	Pump Plastic Screen	72186

NortonParts.com

888-634-4289

An iBuy Stores Company

BBL MODEL MASONRY SAW
PARTS CROSS REFERENCE LIST
N.L.X. TO U.S.

NLX P/N	DESCRIPTION	SUB	P/N
76027	DRAIN PLUG ASSY	NO	
76146	FRAME WELDMENT	NO	
216138	WATER PUMP ASSY	SAME	
216641	SCREEN	SAME	
216642	HOOD	SAME	
216658	IMPELLER	SAME	
76125	CONVEYOR CART ASSY.	YES	216286
75333	CONVEYOR SHEAVE ASSY	YES	213621
76555	BACK STOP, CONVEYOR CART	YES	216288
73280	WOOD STRIP KIT CONVEYOR CART	YES	216287
76032	HARDWARE KIT BACK STOP(2)	YES	216293
216128	GUIDE-A-CUT ASSEMBLY	SAME	
76147	SCALE KIT	YES	216291
75226	WRENCH 3/4"	YES	213643
73229	WRENCH 7/8"	YES	214124
72475	BEARING KIT FOOT PEDAL LEVER	NO	
72067	SET COLLAR	NO	
76550	CRANK HANDLE WELDMENT	NO	
72109	RUBBER HANDLE GRIP	NO	
76545	FOOT PEDAL LEVER	NO	
73277	EYE-BOLT TENSIONING	SAME	
72467	SPRING	YES	213628
73276	PIVOT BEARING KIT	NO	
76549	ADJUSTMENT BAR KIT	NO	
76546	PIVOT PLATES (2)	NO	
73278	BUSHINGS, PIVOT PLATE	NO	
76547	CONNECTING BAR KIT	YES	218045
76548	PIN KIT CONNECTING BAR	NO	
76551	DEPTH STOP KIT	YES	218058
216665	DECAL KIT	SAME	
76111	PROTECTION PLATE KIT BEARINGS	NO	
73418	BEARINGS BLADE SHAFT (2)	NO	
76060	SUPPORT BLADE SHAFT BEARINGS	YES	214104C
73220	BUSHINGS BEARING NYLON (2)	YES	213631
76556	KIT BLADE SHAFT REPLACEMENT	NO	
73281	LOOSE COLLAR	YES	218016
73217	SCREW, LOOSE COLLAR	YES	8042096
75128	WATER CURTAIN ASSEMBLY	YES	214018
76129	BELT GUARD ASSEMBLY	YES	218051
76132	PULLEY, BLADE SHAFT	SAME	

NewmanParts.com
888-634-4289

An iBuy Stores Company