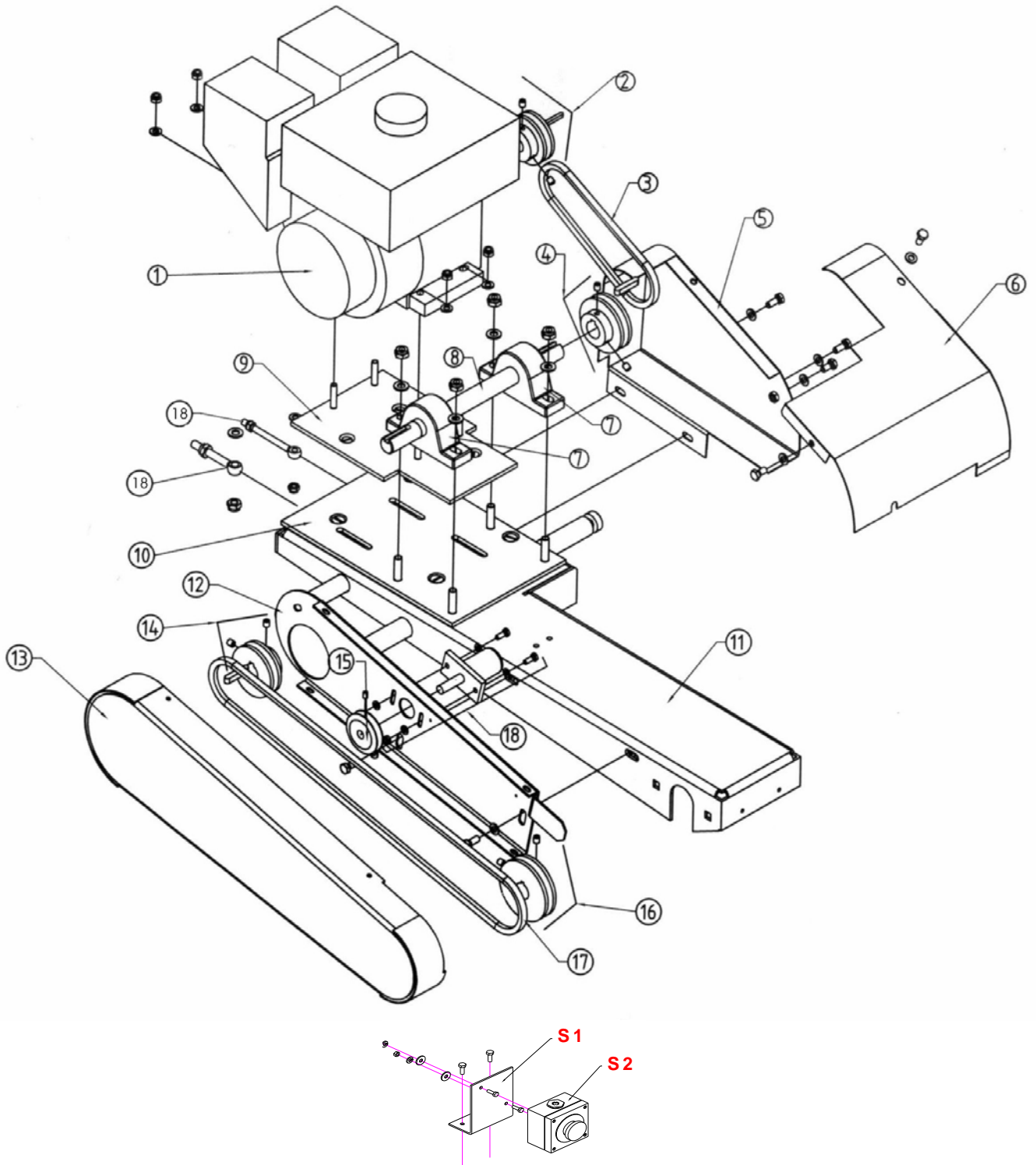


# V. PARTS LIST SECTION

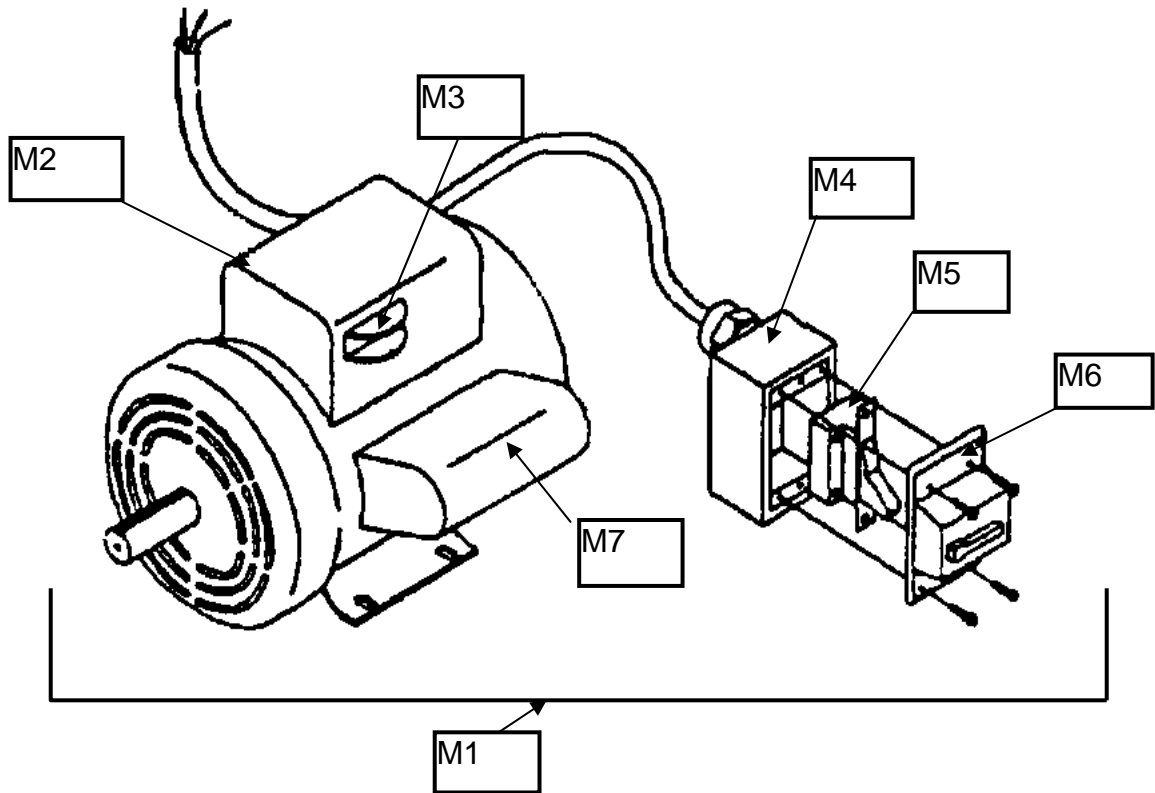
## Power Plant (BBC547-507) Gasoline



## Power Plant (BBC547-507) Gasoline

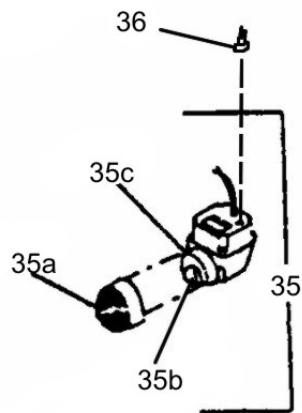
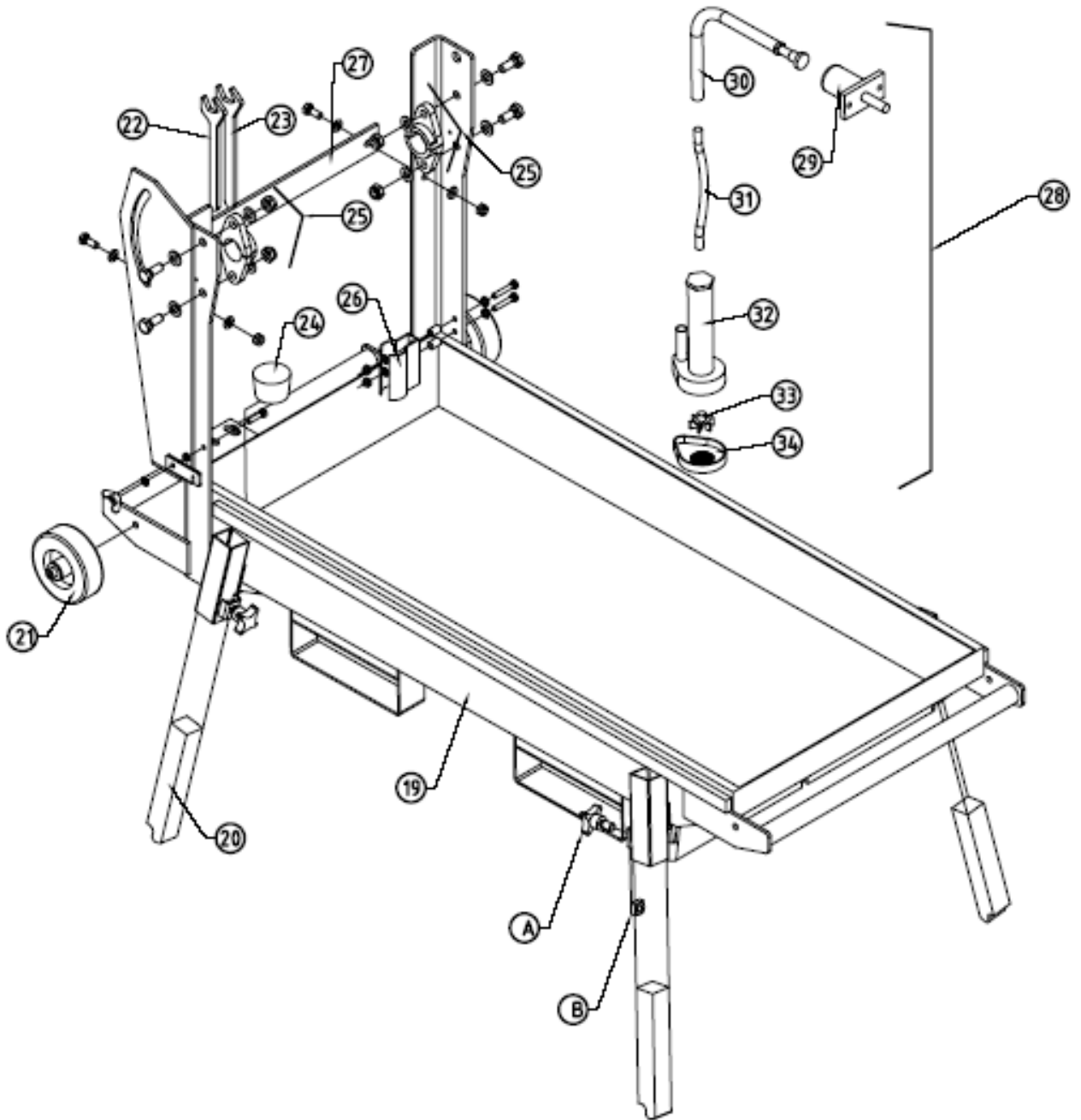
Item No	Description	Part Number
1	Honda motor GX160	83715
2	Motor pulley	83716
3	Belt XPZ 562 LW	83717
4	Jackshaft pulley	83718
5	Right belt guard	83719
6	Guard for the jackshaft	83720
7	Bearing	70599
8	Jackshaft	83721
9	Motor fixation plate	83722
10	Jackshaft fixation plate	83723
11	Cutting head BBC 14"	83724
	Cutting head BBC 20"	232192
12	Support plate for belt guard 14" BBC only	83725
13	Belt guard for 14" BBC only	83726
14	Jackshaft pulley 14" BBC Only	76102
15	Water pump pulley	75270
16	Blade shaft pulley	76098
17	Belt XPZ 1280 LW BBC 14" Only	70398
18	Eyebolt with Hardware (1)	76015
S1	Switch support	83746
S2	Emergency stop switch	83745

## Power Plant (BBC157-207-307) Electric



Item No	Description	Part Number
M1	Motor Assembly w/Switch 1-1/2HP 115/230v/60/1 Motor Assembly w/Switch 2 HP 115/230v/60/1 Motor Assembly w/Switch 3HP 230v/60/1	232084 232085 232160
M2	Capacitor Box Large (Terminal Box)	232085A
M3	Voltage Change Switch	231085
M4	Switch Box Rear	231087
M5	Switch On/Off	231088
M6	Switch Box Cover	231089
M7	Capacitor Box Small	231091
-NA-	Thermal Reset Button 1-1/2 HP TPMST24AB <i>NOTE: The Thermal Reset Button Is Located On The Rear Of The Large Capacitor Housing</i>	232129
-NA-	Thermal Reset Button 2 HP <i>NOTE: The Thermal Reset Button Is Located On The Rear Of The Large Capacitor Housing</i>	
-NA-	Pulley 68mm OD 24mmB 1G 4" Electric Models Only Key 8mm x 7mm x 24mm	83747 232198
-NA-	Belt XPZ 1500 LW (1) 14" Electric Models Only Belt XPZ 1850 LW (1) 20" Electric Models Only	72926 232191

# Frame (Common All BBC157-207-307-547-507)

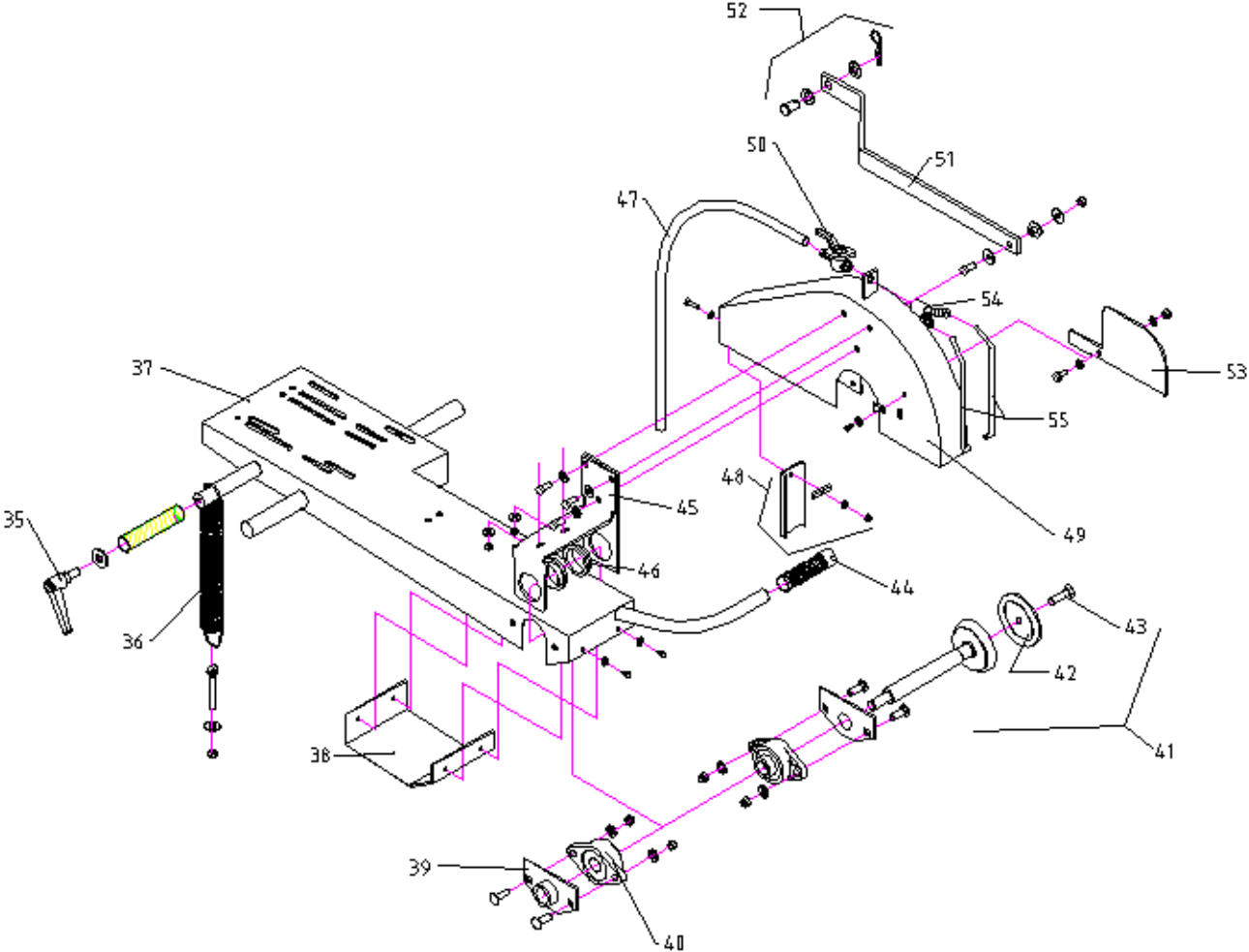


Electrical Water Pump

## Frame (Common All BBC157-207-307-547-507)

Item No	Description	Part Number
18	Screws for water pump	75280
19	Frame	83727
20	Leg (Includes One (1) Leg) Sold Individually – Four (4) Required Per Machine	75817
21	Wheel	82733
22	Wrench 19mm	70807
23	Wrench 22mm	72143
24	Drain plug	76095
25	Split bearing	83728
26	Water pump fixation spring	76097
27	Support post	83729
28	Water pump complete Mechanical Pump	72305
29	Drive end comp. For water pump Mechanical Pump	72297
30	Sheath for flexible shaft Mechanical Pump (Not Available, Now part of 72307)	-NA- Part of 72307
31	Flexible shaft complete for mech. water pump L=35.8 inches (910mm)	72307
32	Body of the pump Mechanical Pump	72284
33	Propeller water pump Mechanical Pump	72862
34	Plastic sieve for pump Mechanical Pump	72186
34a	Knob M10 X 20 1.5 for Legs (sold each)	72856
34b	Nut M10 Square (sold each)	27065
35	Water Pump PE1 – Electric Powered Units Only	214169
35a	Screen Water Pump PE1	155775
35b	Impeller Water Pump PE1	155774
35c	Volute Water Pump PE1	101375
36	Fitting Barb Hose ¼" FPT X ½ MALE BARB	9602010

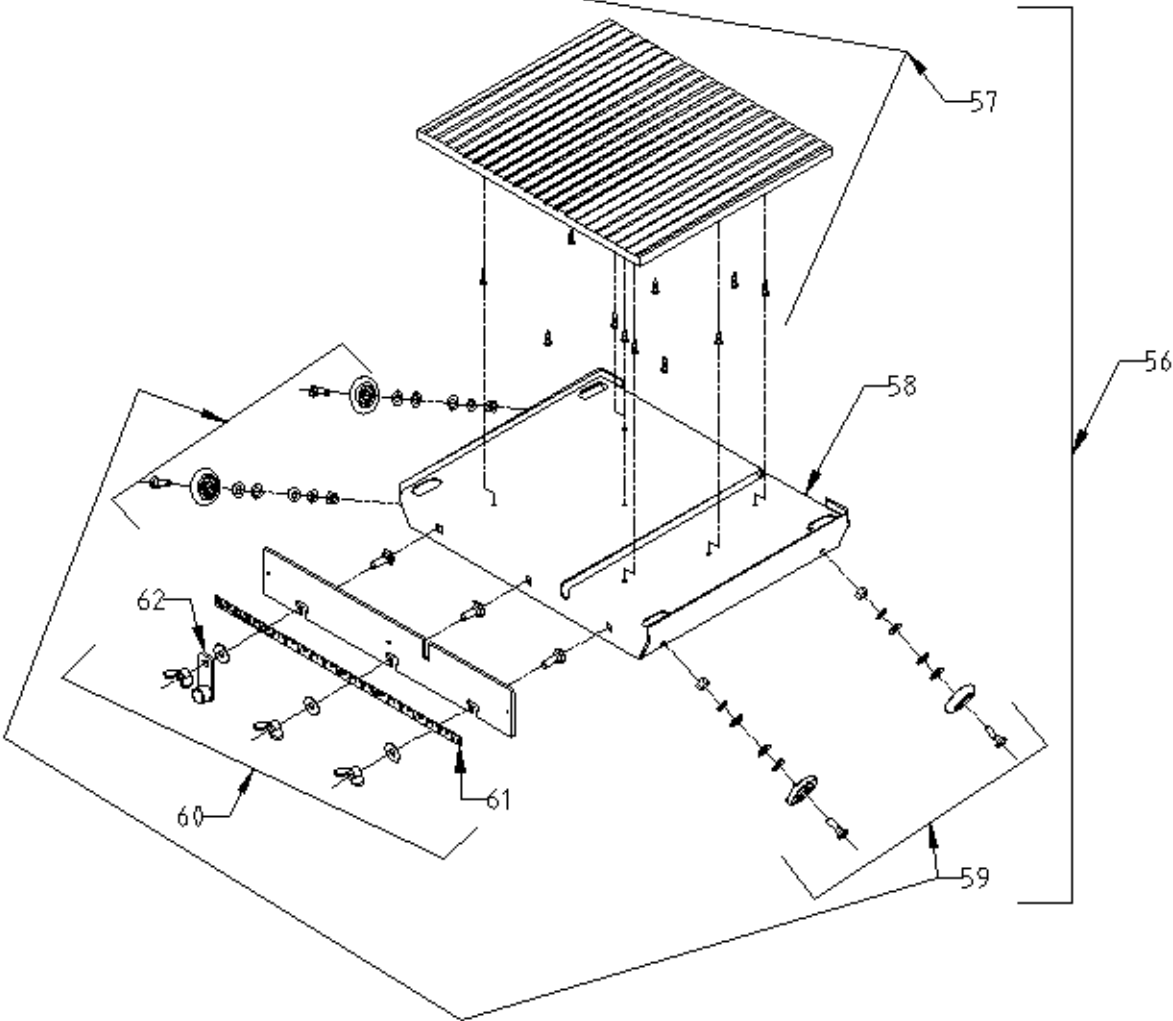
# Cutting Head (Common All BBC157-207-307-547-507)



## Cutting Head (Common All BBC157-207-547)

Item No	Description	Part Number
35	Locking Handle for cutting head (was 73098 replaced by 82738)	82738
36	Spring	72567
37	Cutting head BBC 14"	83724
	Cutting head BBC 20"	232192
38	Protection for Bearings and shaft	76111
39	Support for blade shaft bearing (set of 2)	76060
40	Bearing (set of 2)	73418
41	Blade shaft assembly 14" Models Only	76035
	Blade shaft assembly 20" Models Only	76556
42	Loose collar 14" Models Only	73216
	Loose collar 20" Models Only	73281
43	Screw for loose collar	73217
44	Handle grip	72097
45	Leveling support	76113
46	Bushings, bearing-Nylon (set of 2)	73220
47	Hose for water pump	72413
48	Splash guard	73221
49	Blade guard 14"	76037
	Blade guard 20"	76126
50	Water tap	72357
51	Stay-level arm	73266
52	Kit stay-level arm pin	76039
53	Blade shaft vent cover	76109
54	Y distributor	72286
55	Spray nozzle (set of 2)	80568

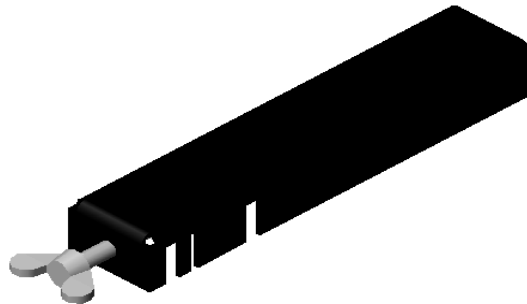
**Cutting Table (Common All BBC157-207-307-547-547)**





## Cutting Table (Common All BBC157-207-547)

Item No	Description	Part Number
56	Conveyor Cart (aka Cutting Table) Complete With Wheels, Top, Back Stop, and Conveyor Cart Stop	83754
57	Top For Cutting Table (Wood & Rubber) w/Hardware	76742
	Screw 4x 12mm DIN 7976 (sold each, 11 required)	30373
58	Conveyor Cart Frame Only (No Wheels, Top, Backstop or Conveyor Cart Stop)	-NA- Part of 83754
59	Wheel Kit, Conveyor Cart (Set Of 4) w/Hardware	75333
	Carriage Bolt M10 x 30 DIN 603 (sold each, 3 required)	27282
	Washer 10.5 DIN 9021 (sold each, 3 required)	27508
	Wing Nut M10 DIN 315 (sold each, 3 required)	27040
60	Back Stop Plate	83752
61	Scale for Conveyor Cart w/rivets	83753
62	Stop Assembly for Conveyor Cart (Complete)	82856
	Rubber Stop	-NA- Part of 82856
	Nut M6 DIN 439	27003
	Washer M6 DIN 125	27539



Item No	Description	Part Number
-NA-	Guide-A-Cut Assembly	83892