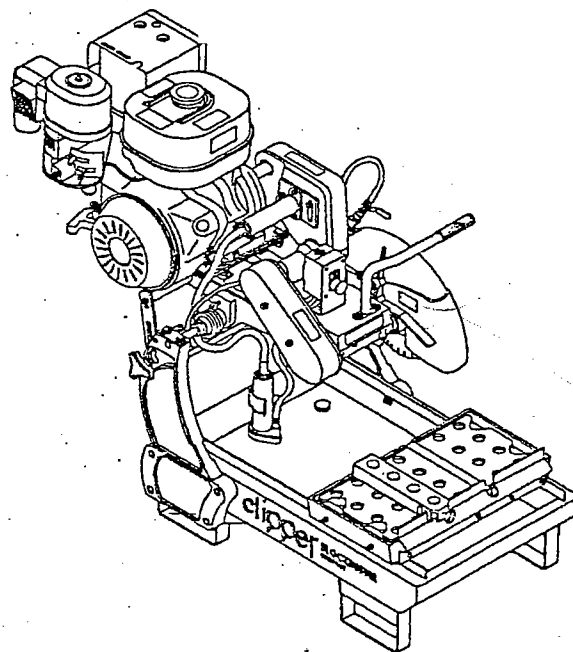
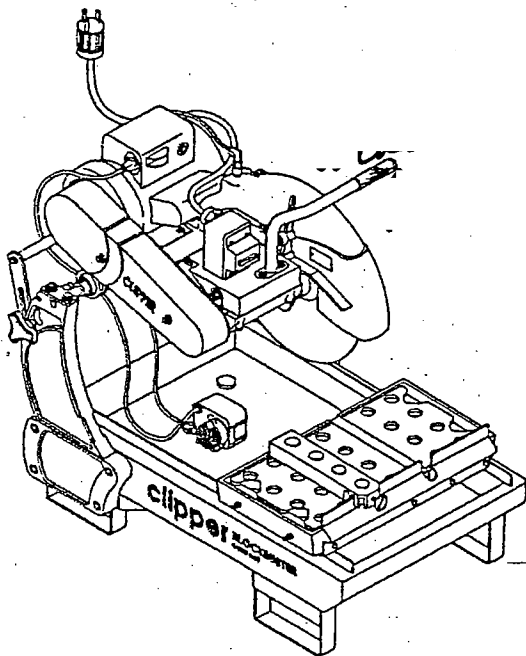


# OWNERS MANUAL



## COMPACT MASONRY SAW

### MODELS

- pump -214169 → BBC156SW
  - BBC206SW
  - BBC546
- mechanical pump-72305 →
- these have different motors

CONVEYOR CART 213011

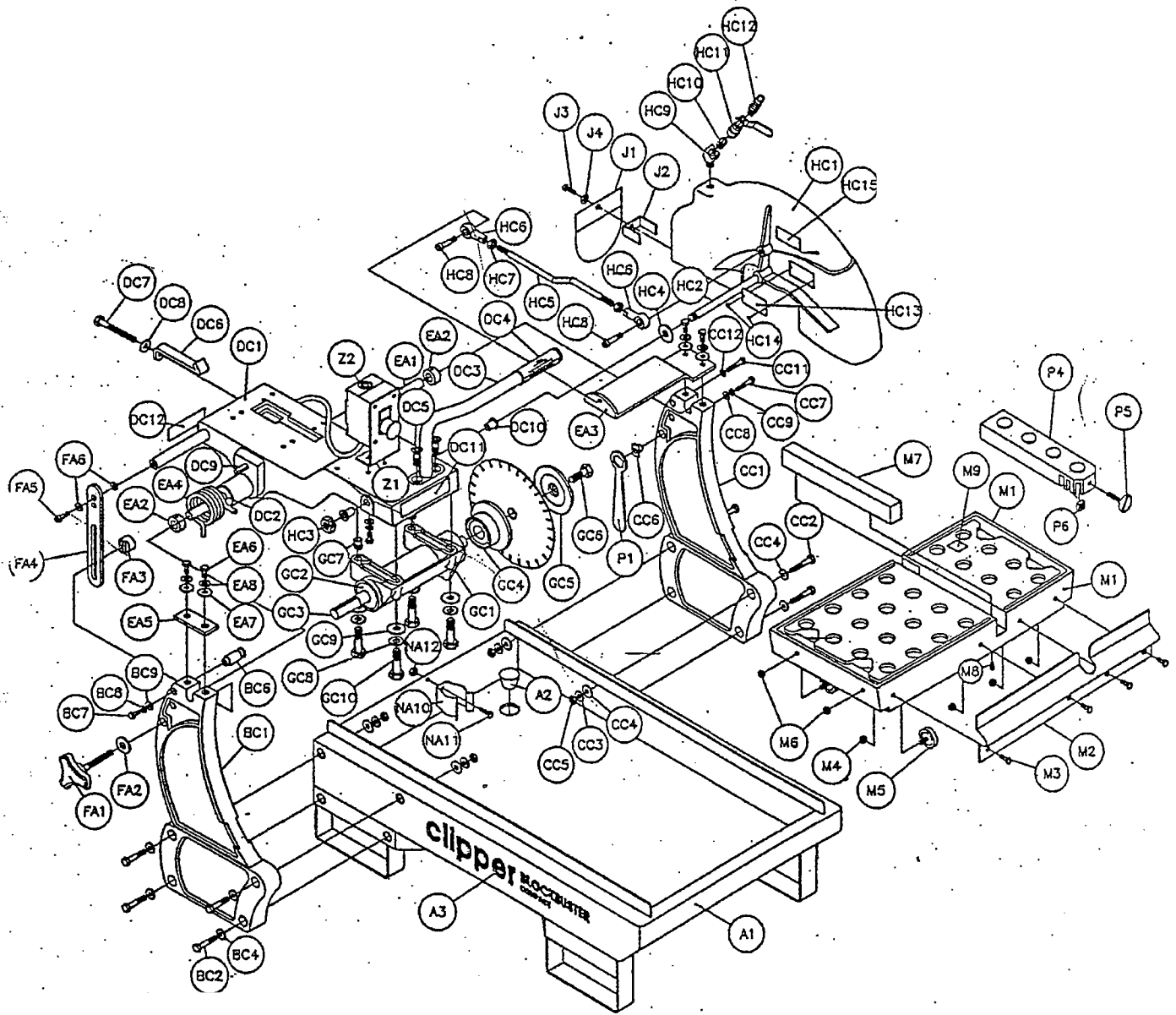
WHEELS

200062

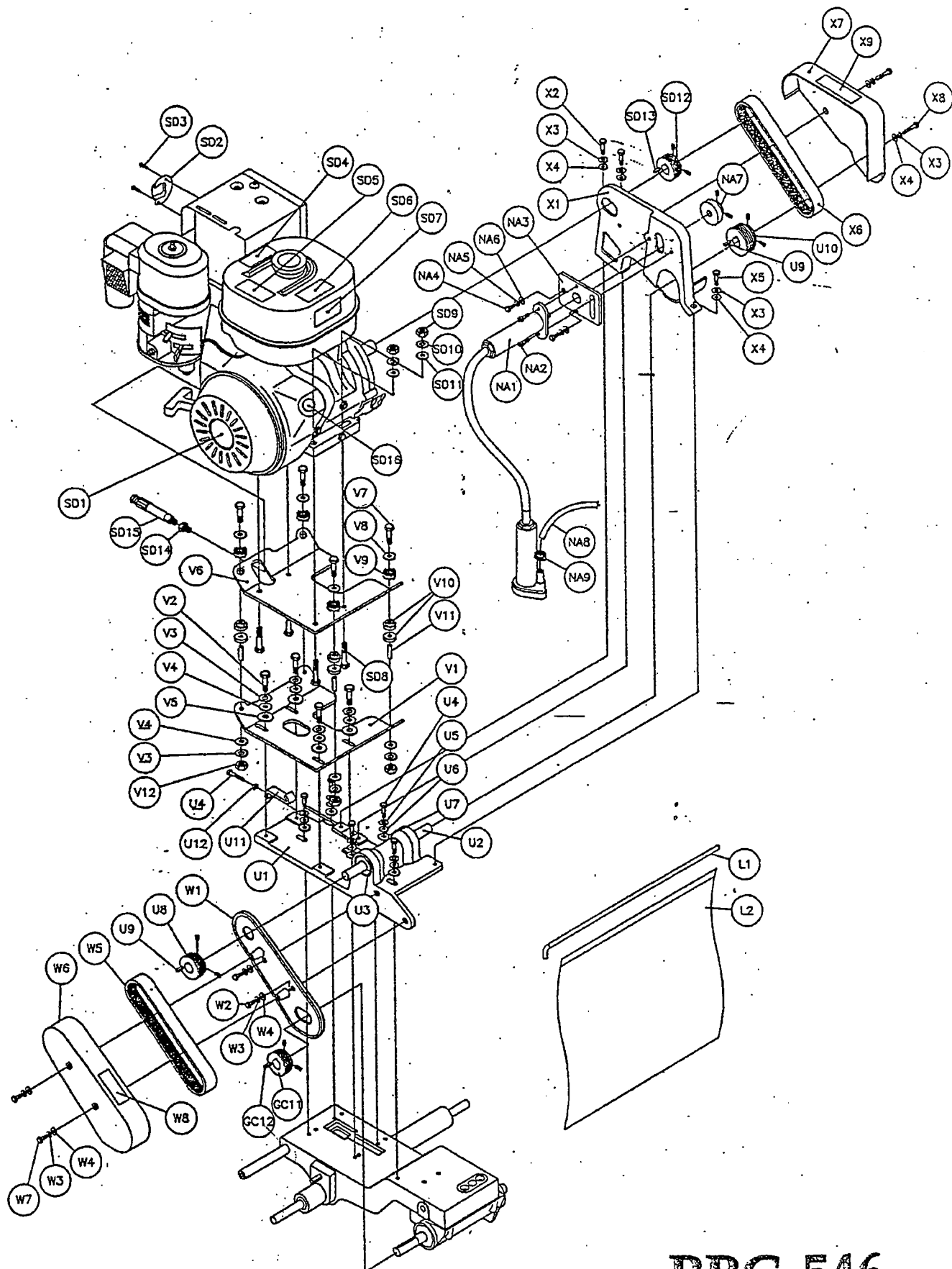
twist lock plug- 231093

VBELT 231060

*clipper*

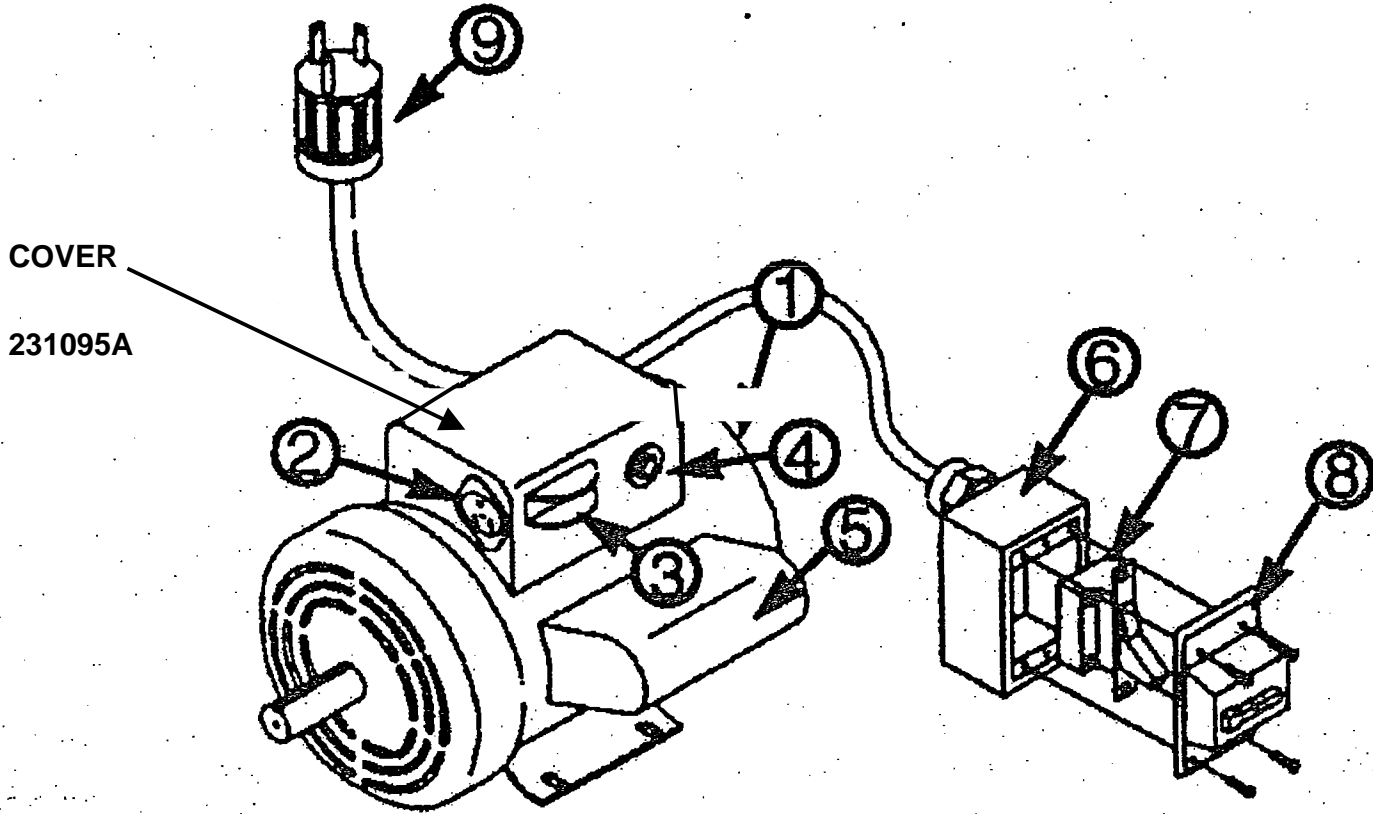


**BBC-546**



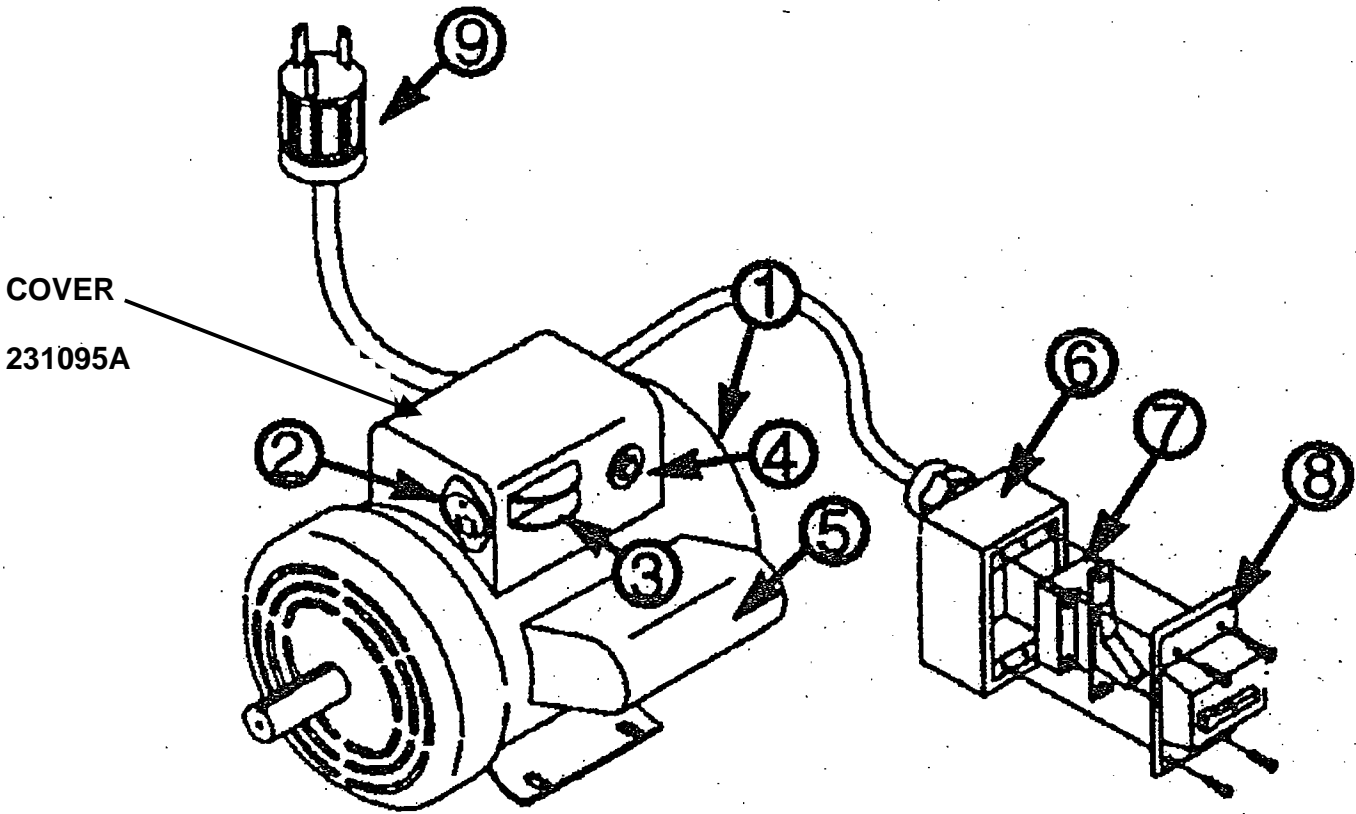
**BBC-546**

## BBC156SW Masonry Saw Motor



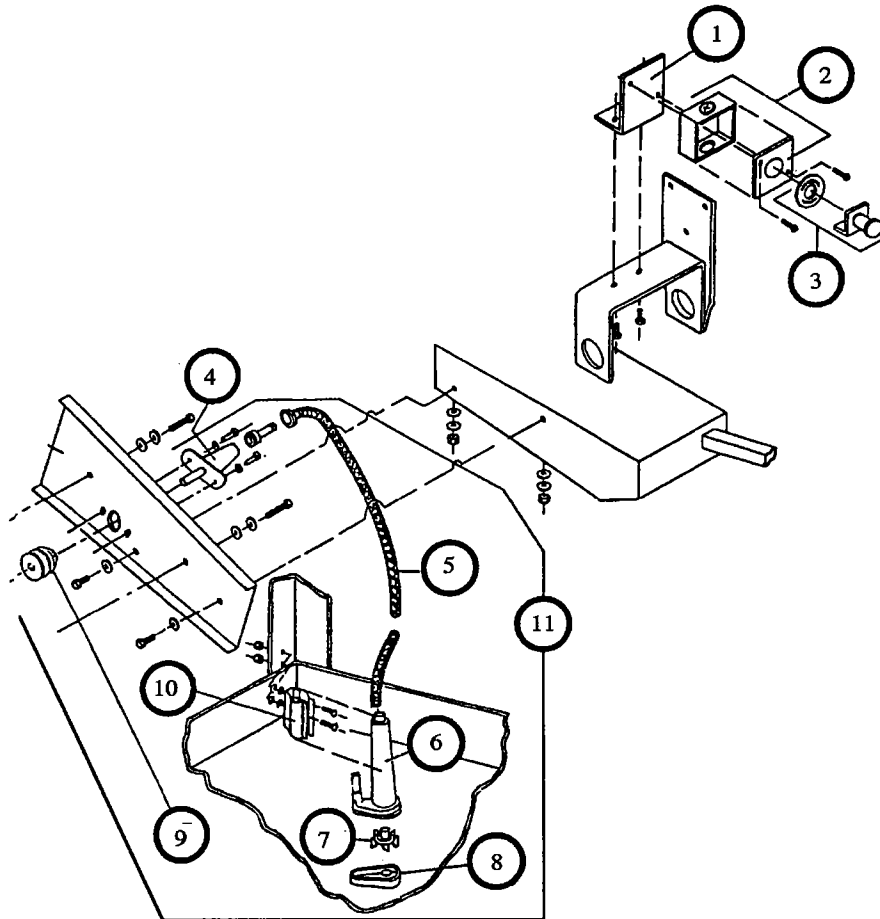
Item	Description	Part No
1	Motor 115/230-volt 60Hz 1P 1.5 HP	231082
2	Receptacle 20A 115-volt	231084
3	Switch voltage Change	231085
4	Switch O/L Thermal (TPM1SJ24AB)	231086
5	Capacitor Housing	231091
6	Box Switch	231087
7	Switch On/Off 30A 250-volt	231088
8	Cover Switch Box	231089
9	Plug Twist Lock 20A 125-volt	231093

## BBC206SW Masonry Saw Motor



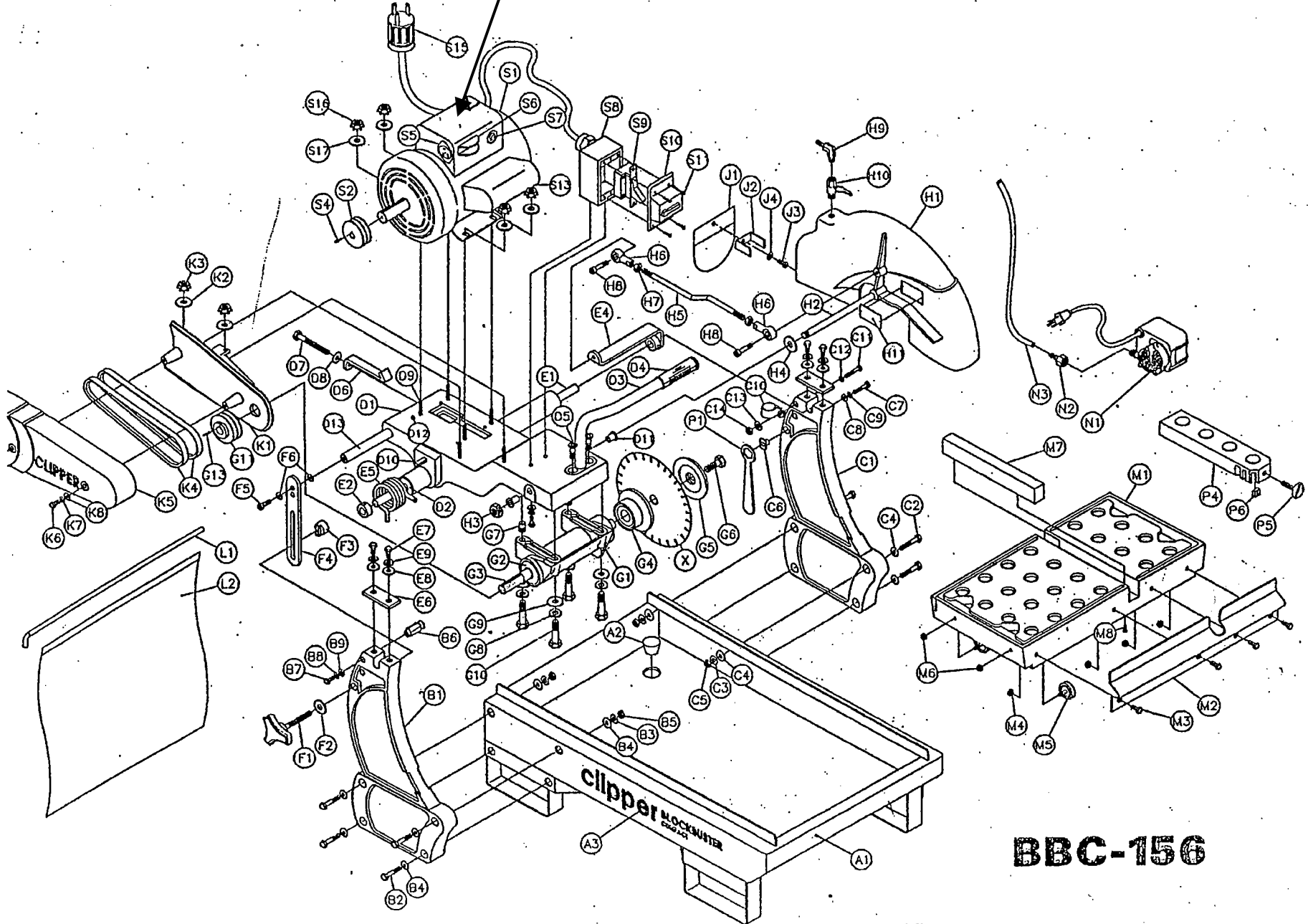
Item	Description	Part No
1	Motor 115/230-volt 60Hz 1P 2 HP	231095
2	Receptacle 20A 115-volt	231084
3	Switch voltage Change	231085
4	Switch O/L Thermal (TPM1SJ24AB)	231086
5	Capacitor Housing	231091
6	Box Switch	231087
7	Switch On/Off 30A 250-volt	231088
8	Cover Switch Box	231089
9	Plug Twist Lock 20A 125-volt	231093

## BBC545G-YMC543G WATER PUMP ASSEMBLY DIAGRAM



ITEM	DESCRIPTION	PART NO.
1	Bracket, Switch with Hardware	213586
2	Box Kit, Stop Switch	213587
3	Button & Decal, Stop Switch	213576
4	Drive End Complete	72297
5	Shaft Flexible, Water Pump [BBC Only!]	72307
6	Pump Body, Water Pump	72284
7	Impeller, Water Pump	72862
8	Screen, Water Pump	72186
9	Pulley Kit, Water Pump	<b>75270</b> <del>213592</del>
10	Clamp Kit, Water Pump	76097
11	Water Pump Complete Model LG-910	72305

231095A COVER



**BBC-156**

## Clipper BBC 156 / 546 Series Paver Saws Owners Manual Parts List

Item	Description	Qty	Clip P/N
A	Assembly, Frame, Paver Saw	1	OBS
A1	Frame, Weldment (Water Pan)	1	231019
A2	Plug, Rubber Drain	1	213622
A3	Decal, Block Buster Compact	2	213243
B	Assembly, Upright, Left (BBC-156)	1	OBS
B1	Casting, Upright	1	231021 OBS
B2	Screw, 5/16-18 X 1 3/4, Hex Head Cap	4	231231
B3	Washer, 5/16 Split Lock	4	8177011
B4	Washer, 5/16 SAE Flat	8	8172008
B5	Washer, 5/16 SAE Flat	4	8142002
B6	Nut 5/16-18 Hex	1	231024
B7	Stud, Spring Retaining (elec)	1	8041052
B8	Screw, 5/16-18 x 1 1/2, Hex Head Cap	1	8177011
B9	Washer, 5/16 Split Lock	1	8172008
B9	Washer, 5/16 SAE Flat		
BC	Assembly, Upright, Left (BBC-546)	1	OBS
BC1	Casting, Upright	1	231021 OBS
BC2	Screw, 5/16-18 X 1 3/4, Hex Head Cap	4	231231
BC3	Washer, 5/16 Split Lock	4	8177011
BC4	Washer, 5/16 SAE Flat	8	8172008
BC5	Washer, 5/16 SAE Flat	4	8142002
BC6	Nut 5/16-18 Hex	1	231024
BC7	Stud, Spring Retaining (gas)	1	8041052
BC8	Screw, 5/16-18 x 1 1/2, Hex Head Cap	1	8177011
BC9	Washer, 5/16 Split Lock	1	8172008
BC9	Washer, 5/16 SAE Flat		
C	Assembly, Upright, Right		OBS
C1	Casting, Upright Right	1	231021
C2	Screw, 5/16-18 X 1 3/4, Hex Head Cap	4	231231
C3	Washer, 5/16 Split Lock	4	8177011
C4	Washer, 5/16 SAE Flat	8	8172008
C5	Washer, 5/16 SAE Flat	4	8142002
C6	Nut 5/16-18 Hex	1	231025
C7	Hanger, Wrench	1	8041053
C8	Screw, 3/8-16 x 1 3/4, Hex Head Cap	1	8172009
C9	Washer, 3/8 SAE Flat	1	8177012
C9	Washer, 3/8 SAE Split Lock	1	231026
C10	Clamp, Cushion Loop 1/2" (elec.)	1	



C11	Screw, ¼-20 x 1 ¾ Hex Head Cap	1	8041009
C12	Washer, ¼ SAE Flat	2	8172007
C13	Washer, 1/4 Split Lock	1	8177010
C14	Nut ¼-20 Hex	1	8143001
D	<b>Assembly, Cutting Head (BBC-156)</b>		<b>231003</b>
D1	Casting, Cutting Head	1	231027
D2	Bearing, Pivot Shaft	2	231029
D3	Handle	1	231215
D4	Grip, Handle	1	<b>227101</b>
D5	Screw, 3/8-16 x ¾, Flat Socket Head Cap Screw	2	<b>8041048</b>
D6	Strap, Motor Adjustment	1	231032
D7	Bolt, 3/8-16 x 3 ½ Hex Head Cap	1	<b>8041060</b>
D8	Washer, 3/8 SAE Flat	1	<b>8172009</b>
D9	Stud, 5/16-18 x 1 ½	6	231238
D10	Pin, Split Wrist	1	231033
D11	Bushing, Plastic	<b>231034</b>	<del>231350</del>
D12	Stud, Pulley Alignment	1	231274
D13	Label, Caution, Owners Manual 4 x 1 ¼	1	231268
D14	Label, Caution, Overtension of Belts	1	231271
DC	<b>Assembly, Cutting Head (BBC-546)</b>		
DC1	Casting, Cutting Head	1	231027
DC2	Bearing, Pivot Shaft	2	231029
DC3	Handle	1	231215
DC4	Grip, Handle	1	<b>227101</b>
DC5	Screw, 3/8-16 x ¾, Flat Socket Head Cap Screw	2	<b>8041048</b>
DC6	Strap, Motor Adjustment	1	231032
DC7	Bolt, 3/8-16 x 3 ½ Hex Head Cap	1	<b>8041060</b>
DC8	Washer, 3/8 SAE Flat	1	<b>8172009</b>
DC9	Pin, Split Wrist	1	231033
DC10	Bushing, Plastic	2	<b>231034</b>
DC11	Label, Owners Manual 4 x 1 ¼	1	231268
DC12	Lable, Overtension of Belts	1	231271
E	<b>Assembly, Pivot Shaft (BBC-156)</b>	1	
E1	Shaft, Pivot	1	231035
E2	Collar, Pivot Shaft	2	231036
E3	<b>SCREW 5/16-18 X 1/4 SET CUP POINT</b>	1	<b>231239</b>
E5	Spring, Torsion (elec)	1	231038
E6	Bracket, Pivot Shaft Retaining	1	<b>231023</b>
E7	Screw, 5/16-18 X 1 Button Head	4	231240

E4 BRACKET COLLAR PIVOT SHAFT & STAY LEVEL

231234

E8	Washer, 5/16 SAE Flat	4	8172008
E9	Washer, 5/16 Split Lock	4	8177011
EA	Assembly, Pivot Shaft (BBC-546)	1	231325
EA1	Shaft, Pivot	1	231035
EA2	Collar, Pivot Shaft	2	231036
	Screw, 5/16-18 x 1/4 Set Cup Point	2	231239
EA3	Bracket, Blade Guard Stay-Level	1	231307
EA4	Spring, Torsion (5 coil)	1	<b>231038</b>
EA5	Bracket, Pivot Shaft Retaining	1	231034
EA6	Screw, 5/16-18 X 1 Button Head	4	231240
EA7	Washer, 5/16 SAE Flat	4	8172008
EA8	Washer, 5/16 Split Lock	4	8177011
F	Assembly, Cutting Head Height Adjustment (BBC-156)	1	
F1	Knob, Tri (w/ 3/8-16 x 2 1/2 Stud)	1	231039
F2	Washer, 3/8 SAE Flat	1	8172009
F3	T-Nut	1	231040
F4	Bracket, Height Adjustment (elec.)	1	231041
F5	Screw, 1/2 x 1/2 Socket Hd. Shoulder	1	<b>9052068</b>
F6	Washer, 1/2 SAE Flat	2	8172011
FA	Assembly, Cutting Head Height Adjustment (BBC-546)	1	231326
FA1	Knob, Tri (w/ 3/8-16 x 2 1/2 Stud)	1	231039
FA2	Washer, 3/8 SAE Flat	1	8172009
FA3	T-Nut	1	231040
FA4	Bracket, Height Adjustment (gas)	1	231317
FA5	Screw, 1/2 x 1/2 Socket Hd. Shoulder	1	<b>9052068</b>
FA6	Washer, 1/2 SAE Flat	2	8172011
G	Assembly, Blade Shaft (BBC-156)	1	<b>231221</b>
G1	Casting, Blade Shaft-Arbor	1	231042
G2	Bearing, Blade Shaft	2	231044
G3	Shaft, Arbor	1	231045
G4	Flange, Inner	1	231046
G5	Flange, Outer 14 Inch M-Saw	1	231047
G6	Screw, 1/2-20 x 1-1/4, Hex Head Cap	1	<b>231241</b>
G7	Pin, Arbor Alignment	2	231048
G8	Washer, 5/16 Split Lock	4	8177011
G9	Washer, 5/16 SAE Flat	4	8172008

G10	Screw, 5/16-18 x 2-1/4,	4	231242
G11	Pulley, 2 Groove, 2-1/2 x 5/8	1	231049
G12	Screw, 5/16-18 x 1/4 Set	2	231239
G13	Key, 1-1/8 X 3/16	1	231243
GC	Assembly, Blade Shaft (BBC-546)	1	
GC1	Casting, Blade Shaft-Arbor	1	231042
GC2	Bearing, Blade Shaft	2	231044
GC3	Shaft, Arbor	1	231045
GC4	Flange, Inner	1	231046
GC5	Flange, Outer 14 Inch M-Saw	1	231047
GC6	Screw, 1/2-20 x 1-1/4, Hex Head Cap	1	231241
GC7	Pin, Arbor Alignment	2	231048
GC8	Washer, 5/16 Split Lock	4	8177011
GC9	Washer, 5/16 SAE Flat	4	8172008
GC10	Screw, 5/16-18 x 2-1/4,	4	231242
GC11	Pulley, Micro-V Ø 2 3/8, Driver	1	231355
	Screw, 5/16-18 x 1/4 Set	2	231239
GC12	Key, 1-1/8 X 3/16	1	231243
H	Assembly, Blade Guard (BBC-156)	1	<b>231007</b>
H1	Casting, Blade Guard	1	231050
H2	Stud, Blade Guard Pivot	1	231051
H3	Nut, 1/2-20 Lock	1	<b>8160001</b>
H4	Shim, 1/2	1	231245
H5	Rod, Adjustment Blade Guard	1	231052
H6	Ball Joint Rod End, Stamped, 3/8-24	2	231053
H7	Nut, Jam 3/8-24	2	231054
H8	Screw, 3/8 x 1/2 Shoulder, 5/16-18 x 1/2 Thread	2	231246
H9	Fitting, 1/4 MNPT X 1/8 X 90° BARB Brass	1	231055
H10	Valve, Miniature Ball, 1/4 Male / Female	1	231248
H11	Tag, Serial	1	<b>OBS</b>
H12	Tack, Metal 1/4 Hd.	4	229134
H13	Label, Warning, Blade Guard Failure	1	231270
HC	Assembly, Blade Guard (BBC-546)	1	<b>231007</b>
HC1	Casting, Blade Guard	1	231050
HC2	Stud, Blade Guard Pivot	1	231051
HC3	Nut, 1/2-20 Lock	1	<b>8160001</b>
HC4	Shim, 1/2	1	231245
HC5	Rod, Adjustment Blade Guard	1	231052
HC6	Ball Joint Rod End, Stamped, 3/8-24	2	231053

HC7	Nut, Jam 3/8-24	2	231054
HC8	Screw, 3/8 x 1/2 Shoulder, 5/16-18 x 1/2 Thread	2	231246
HC9	Elbow, Street 1/4 MNPT x 45° x 1/4 MNPT	1	231414
HC10	Nipple, 1/4 MNPT x Close	1	231415
HC11	Valve, Shut Off 1/2 FNPT x 1/2 FNPT	1	231416
HC12	Fitting, Brass 1/2 MNPT x 1/2 Barb	1	231417
HC13	Tag, Serial	1	
HC14	Tack, Metal 1/4 Hd.	4	229134
HC15	Label, Warning, Blade Guard Failure	1	231270
J	Assembly, <b>Splash Guard</b>		<b>OBS</b>
J1	Curtain, Blade Guard	1	231056
J2	Bracket, Water Curtain	1	231057
J3	Screw, 1/4-20 x 1/2, Hex Head Cap	1	8041002
J4	Washer, 1/4 SAE Flat	1	8172007
K	Assembly, <b>Belt Guard (BBC-156)</b>	1	
K1	Casting, Belt Guard Inner	1	231058
K2	Washer, 3/8 SAE Flat	2	8172009
K3	Nut, 5/16-18 Hex (w/ external tooth washer)	2	231250
K4	Belt, V AX-32 <b>COGGED</b>	2	231060
K5	Casting, Belt <b>GUARD OUTER</b>	1	231061
K6	Screw, 5/16-18 x 1 3/4, Hex Head Cap	2	231231
K7	Washer, 5/16 Lock Split	2	8177011
K8	Washer, 5/16 SAE Flat	2	8172008
K9	Caution, Guard Removal 3 x 1 1/2	1	231269
L	Assembly, <b>Splash Curtain</b>	1	
L1	Rod, Splash Curtain	1	231063
L2	Curtain, Rear, Plain	1	<b>219038</b>
M	Assembly, <b>Table</b>	1	<b>231011</b>
M1	Casting, Table	1	231065
M2	Stop-Rule, Table	1	231066
M3	Screw, 1/4-20 x 3/4 Hex Head Cap	4	8041004
M4	Nut, 1/4-20, Hex w/ External Tooth Washer	4	231251
M5	Wheel Roller <b>200062 SET OF 4</b>	4	231067
M6	Nut, 5/16-18, Hex w/ External Tooth Washer	4	231250
M7	Wood Strip, Table Insert	1	231068
M8	Screw, Pan HD Phil. #8 x1	2	231252
M9	Sticker, Inspected By:	1	n/a

130052 SMOOTH

VOLUTE 155772

IMPELLAR 155774

SCREEN 155775

214169 ELECTIC WATER PUMP PARTS\*\*

N	Assembly, Pump Electric (BBC-156)	1	
N1	Pump, Water G-150A	1	214169
N2	Adapter, Plastic MNPT X 1/4 FNPT	1	226020
N3	Hose, Vinyl 1/4 ID	3'	231071
N4	Owner's Manual, Water Pump G-150A	1	OBS
N5	Carton, Water Pump G-150A	1	↓
N6	Insert, Foam Water Pump G-150A	1	↓
NA	Assembly, Water Pump, Mechanical (BBC-546)	1	
NA1	Pump, Water, Mechanical (Lane & Rodrick)	1	72305
NA2	Screw, 5/16-18 x 1/2, Socket Hd. Cap	2	231397
NA3	Bracket, Water Pump Mounting	1	OBS
NA4	Screw, 3/8-16 x 1, Hex Hd. Cap	2	8041050
NA5	Washer, 3/8 Split Lock	2	8177012
NA6	Washer, 3/8 SAE Flat	2	8172009
NA7	Pulley, Water Pump	1	231359
NA8	Hose, Water 1/2"	2 ft	0042521
NA9	Clamp, Hose 1/2"	1	407055
NA10	Clamp, Spring (frame mounting)	1	76097
NA11	Screw, 1/4-20 x 1/2 Hex Hd. Cap	1	8041002
NA12	Nut 1/4-20	1	8142001
P	Assembly, Accessory Pack	1	231013
P1	Wrench, Masonry Saw	1	231076
P4	Assembly, Rip Guide, Large	1	83892
SB1	Assembly, MTR 115/230 60 Hz 1 Ph 2 Hp	1	231095
S1	Motor, 115/230v 60 Hz 1.5 Hp	1	231082
S2	Pulley, 2 Groove, 2 -1/2 X 1/4	1	231083
S3	Screw, 5/16-18 x 1/4, Set	2	231239
S4	Key, 1-1/8 X 3/16	1	231243
S5	Receptacle, 20 Amp 115 volt	1	231084
S6	Switch, Voltage Change	1	231085
S7	Switch, Thermal Overload	1	231086
S8	Box, Switch	1	231087
S9	Switch, On/Off 30 Amps/250 volts	1	231088
S10	Cover, Switch Box	1	231089
S11	Screw, 10-32 x 1/4, Slotted Round Head Machine	4	231090
S12	Screw, 1/4-20 x 3/4 Hex Head	2	8041004
S13	Capacitor, HSG	1	231091
S14	Capacitor, Oil	1	231092
S15	Plug, Twist Lock 20 Amp 125 volt	1	231093

\*\*

S16	Nut, 5/16-18 w/ External Tooth Washer	4	231250
S17	Washer, 5/16 SAE, Flat	4	8172008
S18	Warning, Cord Selection 2 3/4 x 2 1/2	1	231201
S19	Caution, Ground Fault Interrupter 2 1/8 x 1	1	231263
S20	Attachment for Water Pump 1 1/2 x 3/4	1	231264
S21	Motor, Cool Push 1 x 5/8	1	231265
S22	Clipper Decal, 1 3/4 Dia.	1	227232
SD	<b>Assembly, Engine, Honda 5.5 h.p.</b>	1	
SD1	Engine, Honda 5.5 h.p. w/ Cyclon Filter	1	<b>216264</b>
SD2	Deflector, Honda	1	227196
SD3	Screw, 6-32 x 1/2 Pan Hd. Phil.	2	227197
SD4	Label, Caution, Hot Surface	1	227235
SD5	Label, Danger, California	1	227242
SD6	Label, Warning, Refueling	1	227241
SD7	Label, Danger, Lethal Exhaust	1	227243
SD8	Screw, 5/16-18 x 1 1/2, Hex Hd. Cap	4	<b>9041052</b>
SD9	Nut, 5/16-18, Hex	4	<b>8142002</b>
SD10	Washer, 5/16 Split Lock	4	<b>8177011</b>
SD11	Washer, 5/16 SAE Flat	4	<b>8172008</b>
SD12	Pulley, Micro-V (Driver) 2.0 Dia.	1	231356
	Screw, 5/16-18 x 1/4, Set	2	
SD13	Key, 1-1/8 x 3/16	1	229161
SD14	Adapter, Fitting, Oil Drain	1	<b>OBS</b>
SD15	Hose, Oil Drain	1	↓
SD16	Plug, Plastic 3/4 round	1	↓
T	<b>Assembly, Stand (not shown)</b>		
T1	Stand, (BBC-156)	1	231257
T2	Carton, Stand	1	
T3	Caution, Stand, Level Surface	1	231277
T4	Caution, Stand, Max, Weight	1	231278
TA	<b>Assembly, XL Stand (not shown)</b>		
TA1	Stand, XL (BBC-546)	1	231316
TA2	Carton, Stand	1	
TA3	Caution, Stand, Level Surface	1	231277
TA4	Caution, Stand, Max, Weight	1	231278
U	<b>Assembly, Base, Engine, BBC-546 (Honda 5.5 h.p.)</b>	1	
U1	Casting, Engine Base	1	231365
U2	Shaft, Jack	1	231366

**NO LONGER KEYWAY PULLEYS. PULLEYS NOW REQUIRE BUSHINGS.**

**\*\***

**BUSHINGS ARE: 231356A OR 231355A**

U3	Bearing, Jack Shaft	2	231367
U4	Screw, 5/16-18 x 1, Hex Hd. Cap	6	<b>8041028</b>
U5	Washer, 5/16 Split Lock	5	8177011
U6	Washer, 5/16 SAE Flat	5	8172008
U7	Washer, 5/16 Flat	5	<b>8172008</b>
U8	Pulley, Micro-V, (Driver) 2.0 Dia. Screw, 5/16-18 x 1/4 Set	1 2	231356 231239
U9	Key, 1-1/8 x 3/16 (NO LONGER NEED)	1	231243
U10	Pulley, Micro-V, Ø 2 3/8 (Drive) Screw, 5/16-18 x 1/4 Set	1 2	231355 231239
U11	Strap, Belt Tensioning, Engine	1	231368
U12	Nut, 5/16-18 Hex	1	<b>8142002</b>
V	Assembly Plates, Engine Mounting (Upper & Lower)	1	
V1	Plate, Engine Mounting, Lower	1	<b>OBS</b>
V2	Screw, 5/16-18 x 1, Socket Hd. Cap	4	<b>OBS</b>
V3	Washer, 5/16 Split Lock	4	<b>8177011</b>
V4	Washer, 5/16 SAE Flat	4	<b>8172008</b>
V5	Washer, 5/16 Flat	4	<b>8172008</b>
V6	Plate, Engine Mounting, Upper	1	231372
V7	Screw, 5/16-18 x 2, Socket Hd. Cap	4	<b>OBS</b>
V8	Washer, Fender, 1/4 x 1.0	4	<b>OBS</b>
V9	Shock Mount, Upper	4	231373
V10	Shock Mount, Lower	8	231374
V11	Bushing, Stand Off, Shock Mount	4	231375
V12	Nut, 5/16-18 Hex	4	<b>8142002</b>
W	Assembly, Belt Guards, Arbor (BBC-546)	1	
W1	Casting, Inner Belt Guard, Arbor	1	231306
W2	Screw, 5/16-18 x 1 Hex Hd. Cap	2	<b>8041028</b>
W3	Washer, 5/16 Split Lock	4	<b>8177011</b>
W4	Washer, 5/16 SAE Flat	4	<b>8172008</b>
W5	Belt, Micro-V (Gates 220J-10)	1	231380
W6	Casting, Outer Belt Guard, Arbor	1	231308
W7	Screw, 5/16-18 x 2 1/2 Hex Hd. Cap	2	<b>OBS</b>
W8	Lable, Caution, Guards in Place	1	227237
X	Assembly, Belt Guards, Engine (BBC-546)	1	
X1	Casting, Inner Belt Guard, Engine	1	<b>OBS</b>
X2	Screw, 5/16-18 x 1 1/4 Hex Hd. Cap.	1	<b>OBS</b>
X3	Washer, 5/16 Split Lock	5	227166
X4	Washer, 5/16 SAE Flat	5	<b>8172008</b>

**\*\***

**\*\***

X5	Screw, 5/16-18 x 1 Hex Hd. Cap	1	<b>8041028</b>
X6	Belt, Micro-V (Gates 220J-10)	1	231380
X7	Casting, Outer Belt Guard, Engine	1	231312
X8	Screw, 5/16-18 x 2 ½ Hex Hd. Cap	2	<b>OBS</b>
X9	Label, Caution, Belt Tension	1	227238
Z	Assembly, Switch, On/off (BBC-546)	1	
Z1	Bracket, / Mounting	1	231313
Z2	Harness, Wire	1	231419
Z3	Clamp, Cushion Loop ½"	1	231026
Z4	Screw, ¼-20 x 1 ½ Hex Hd. Cap	2	<b>8041008</b>
Z5	Nut, ¼-20 Hex	2	<b>8142001</b>
Z6	Washer, ¼ SAE Flat	2	<b>8172007</b>
Z7	Washer, ¼ Split Lock	2	<b>8177010</b>
Note:	Blade NOT Included (shown for assembly purposes only)	-	-

rev: 06/02/99